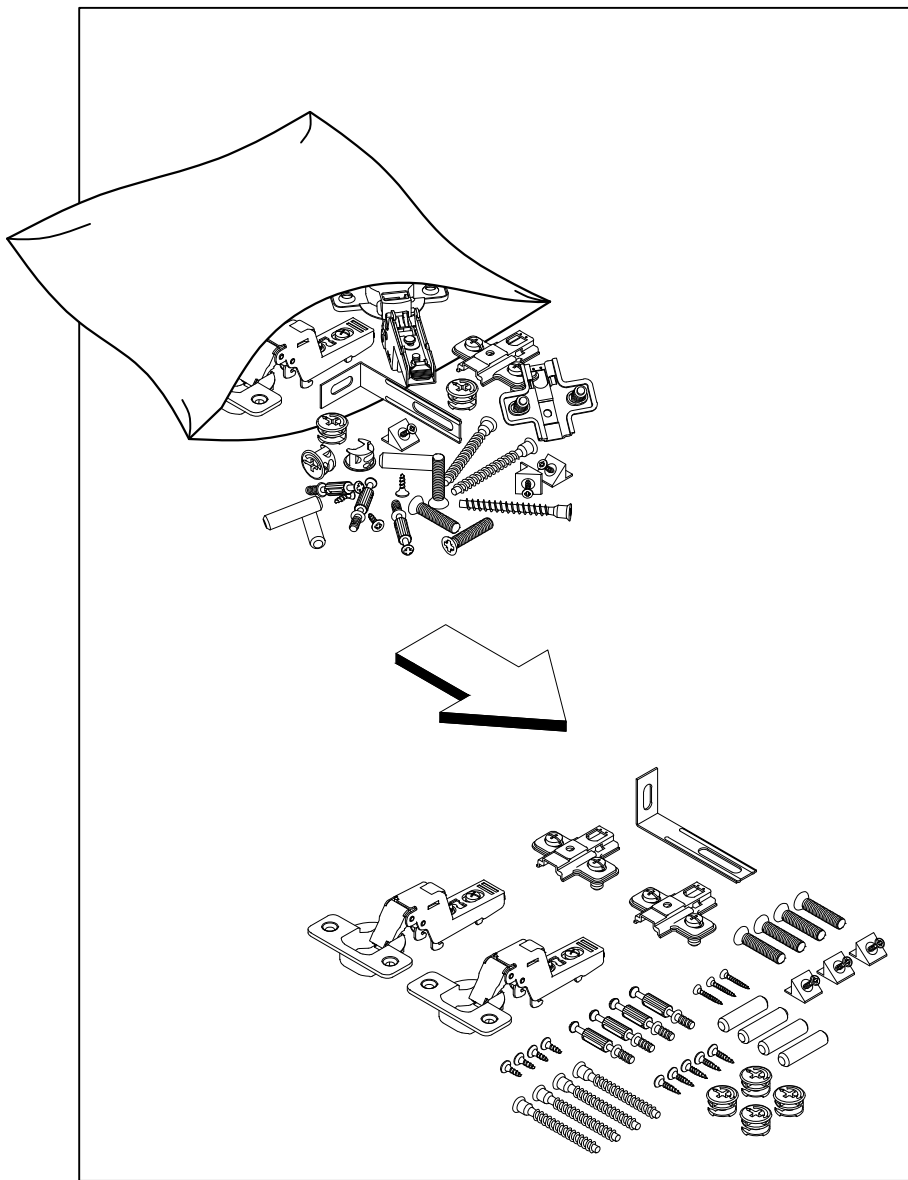


A	8x32	B	x24	C	x24	KG	x2	LED L-298	x3
N	3x20	NM	4x30	NS	3.5x13	P+H0	x3	P+H0 mini	x3
TA	x2	WTY	x1	W2	4x30	W3	x2	W4	x2
X	x10	Z ORZECH	x12	Z CZARNA	x12	ZC	x5	ZZ	x12

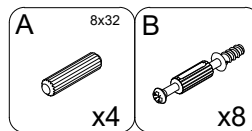
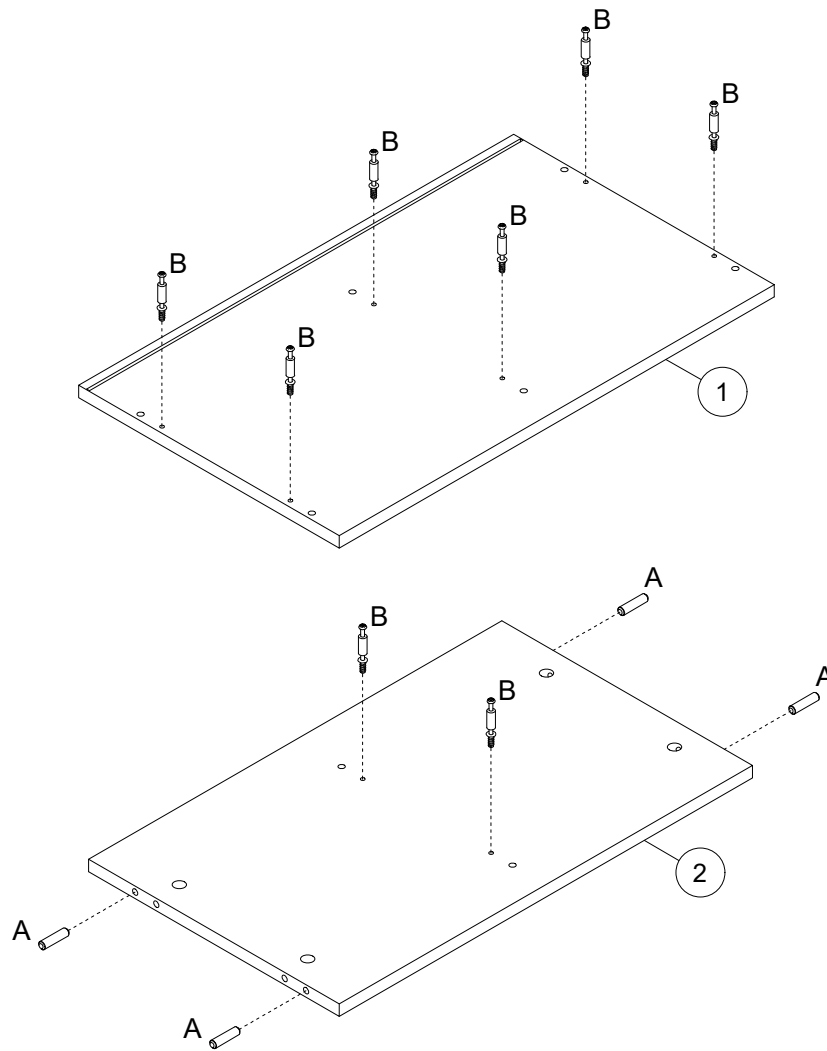
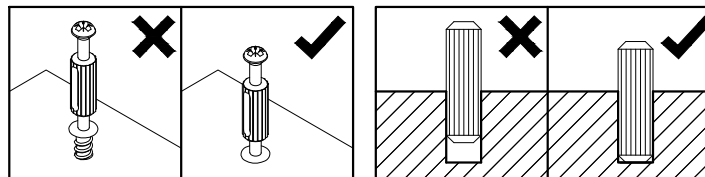
					1 / 4
1	651	390	16	x1	1 / 4
2	618	375	16	x1	1 / 4
3L	1134	390	16	x1	1 / 4
3R	1134	390	16	x1	1 / 4
4	1118	375	16	x1	2 / 4
5	301	350	16	x3	1 / 4
6	301	350	16	x3	1 / 4
7	1146	321	18	x1	2 / 4
8	1146	321	21	x1	2 / 4
9	1138	314	2.5	x1	2 / 4
10	1138	314	2.5	x1	2 / 4

04.02.2025

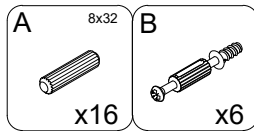
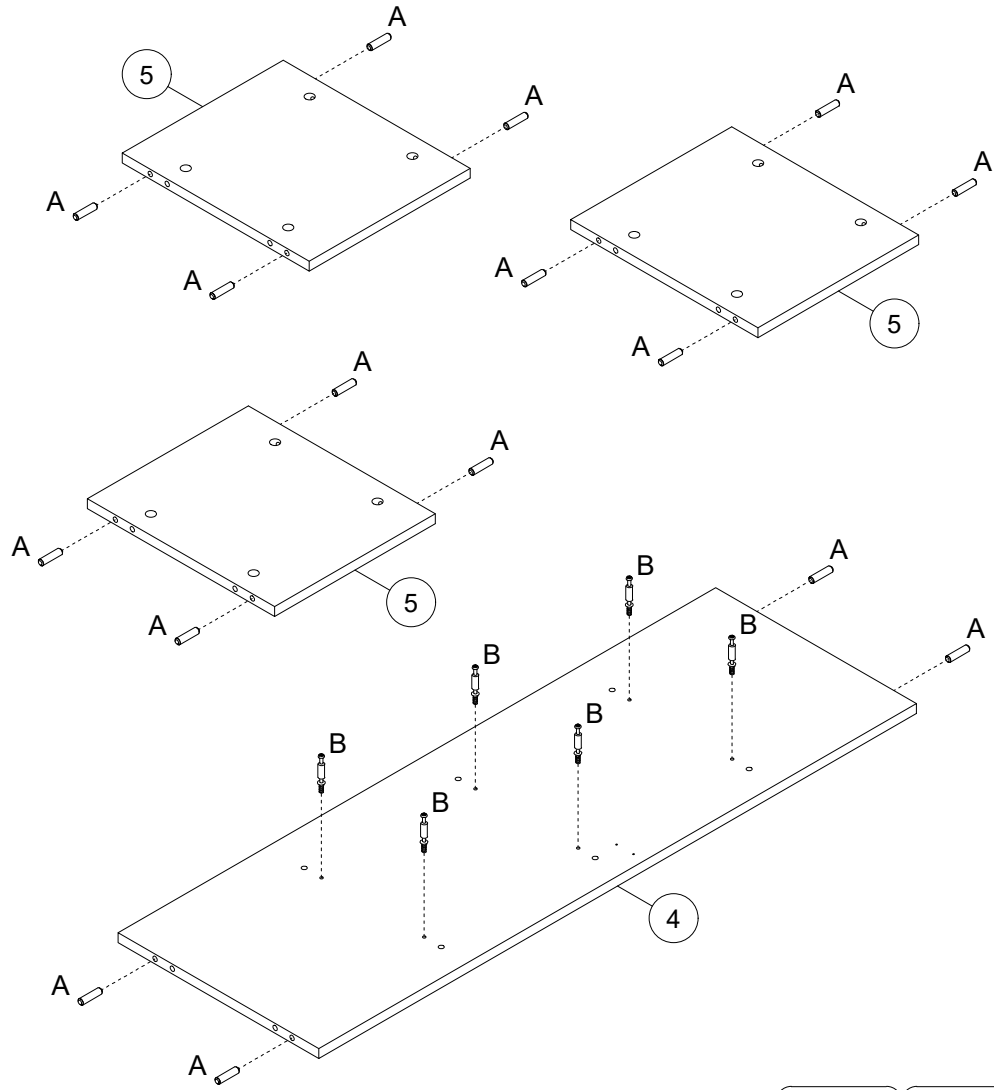
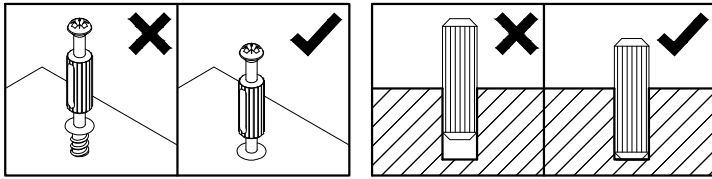
1



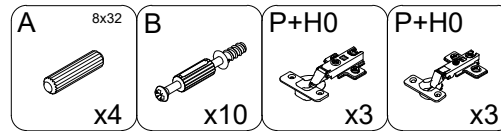
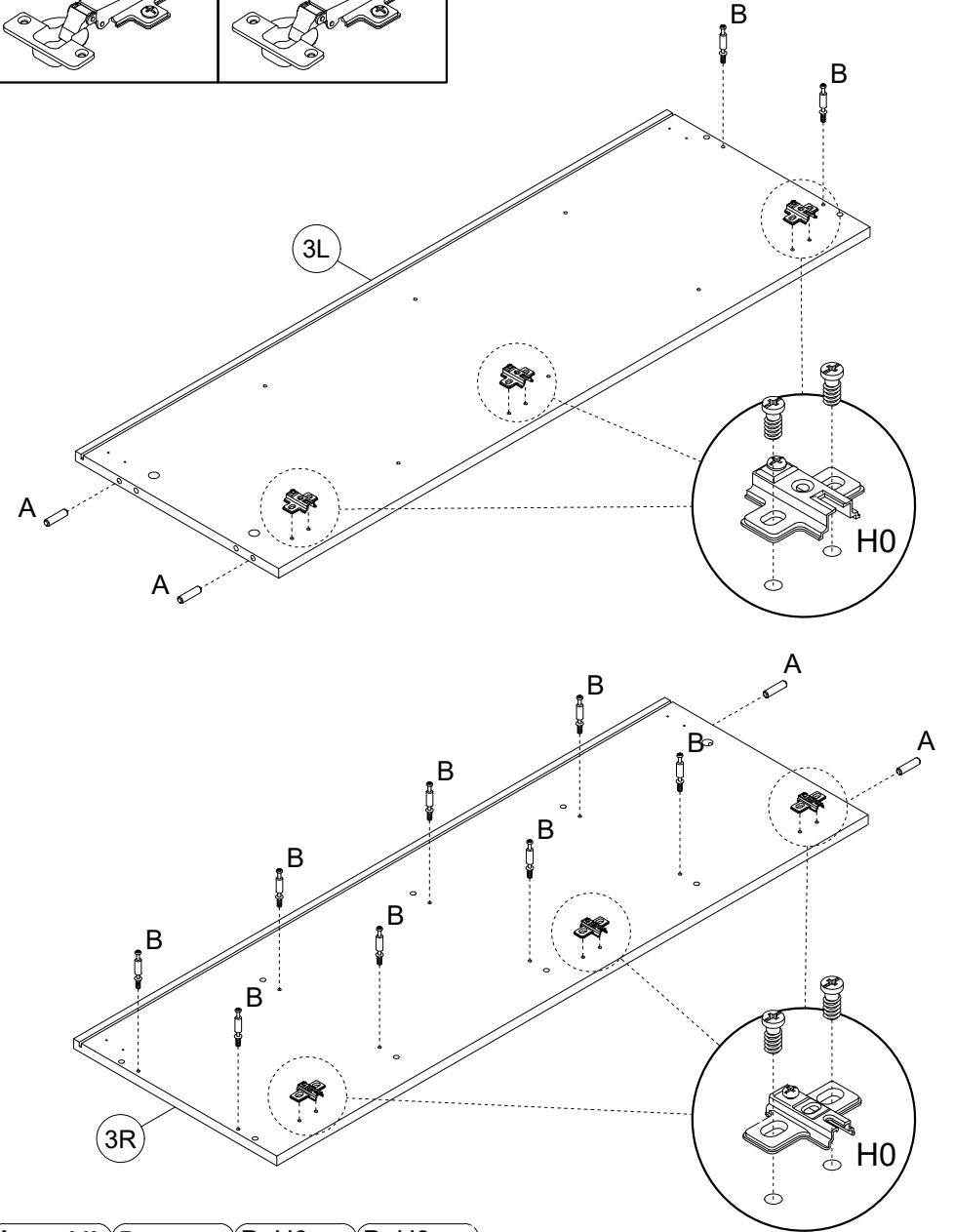
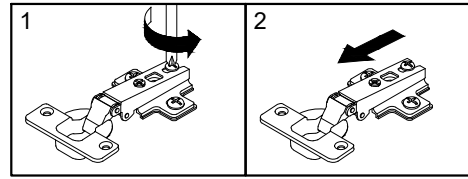
2



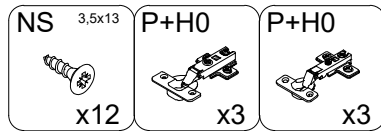
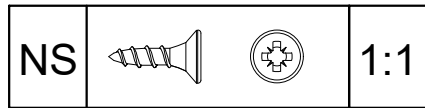
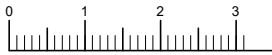
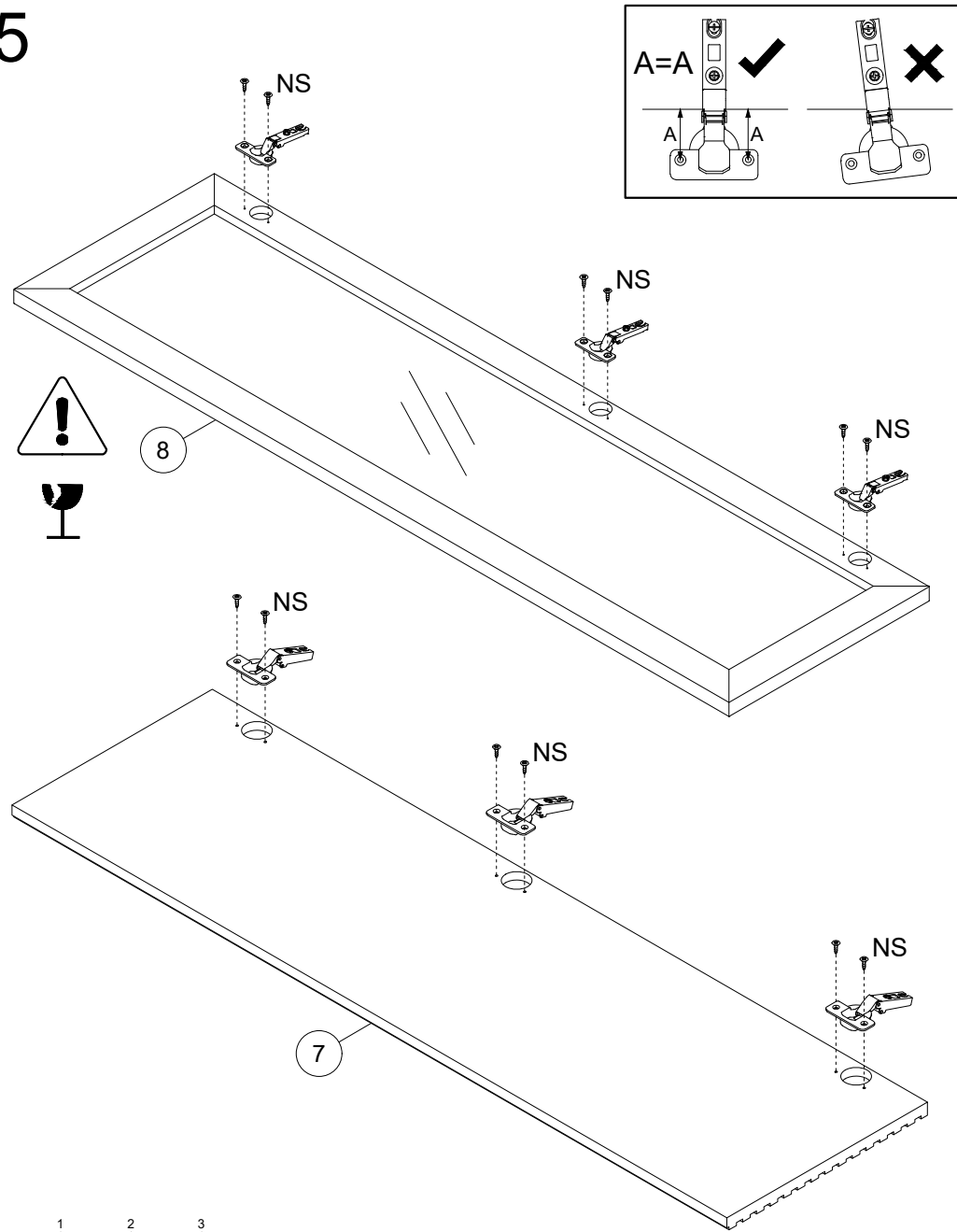
3



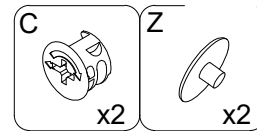
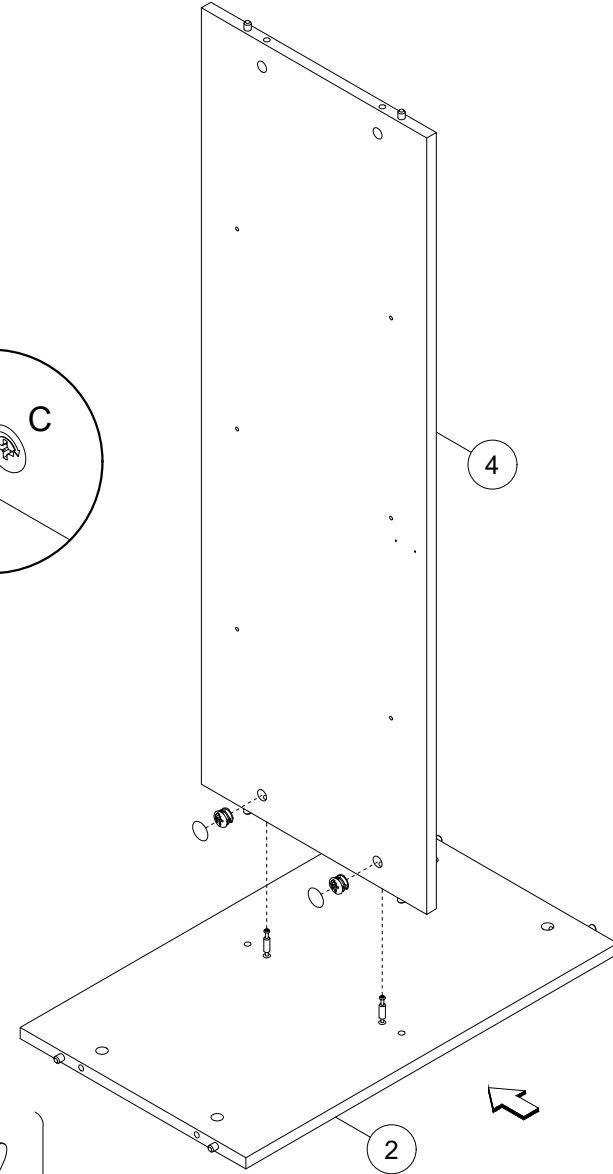
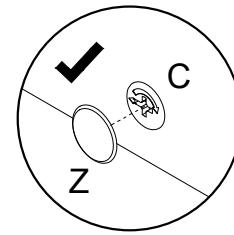
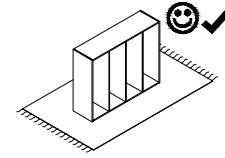
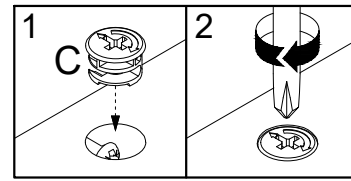
4



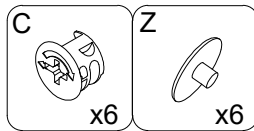
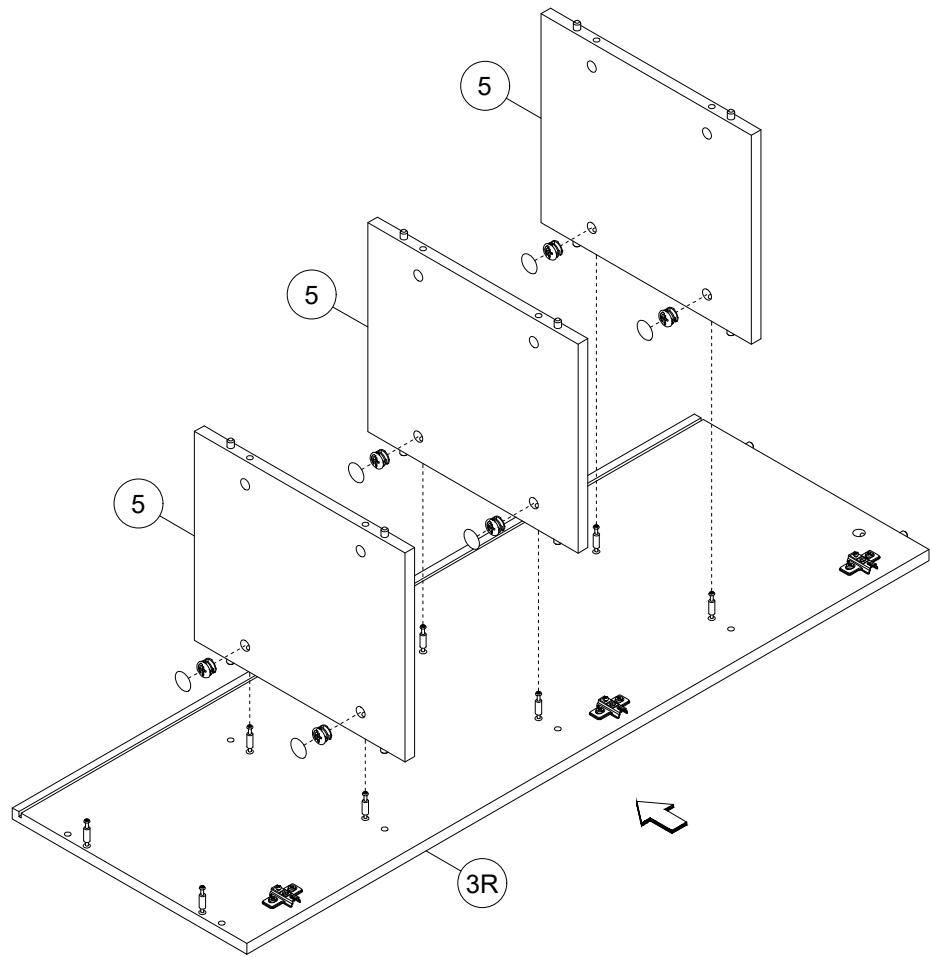
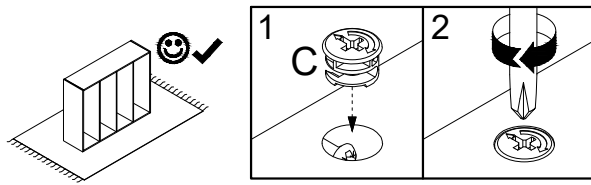
5



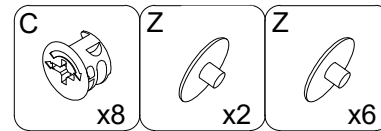
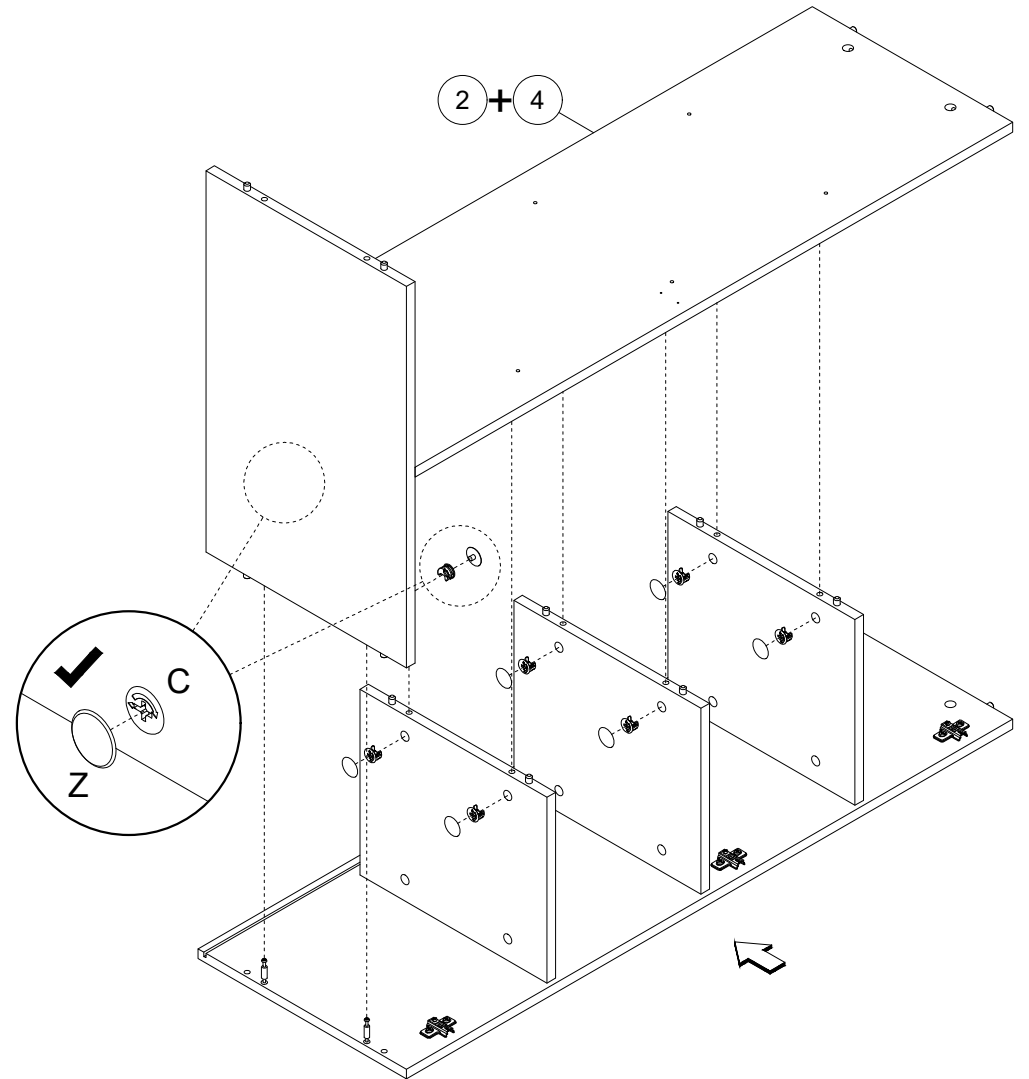
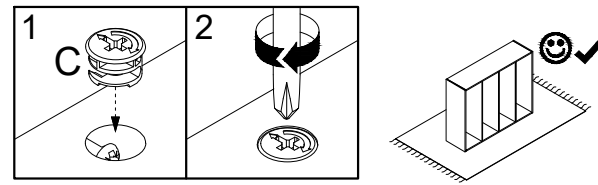
6



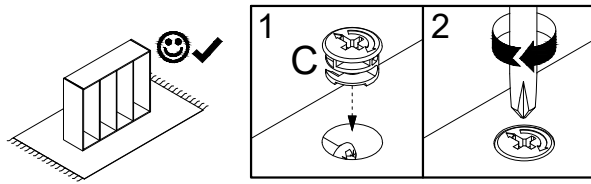
7



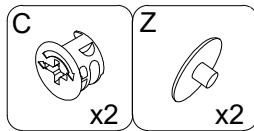
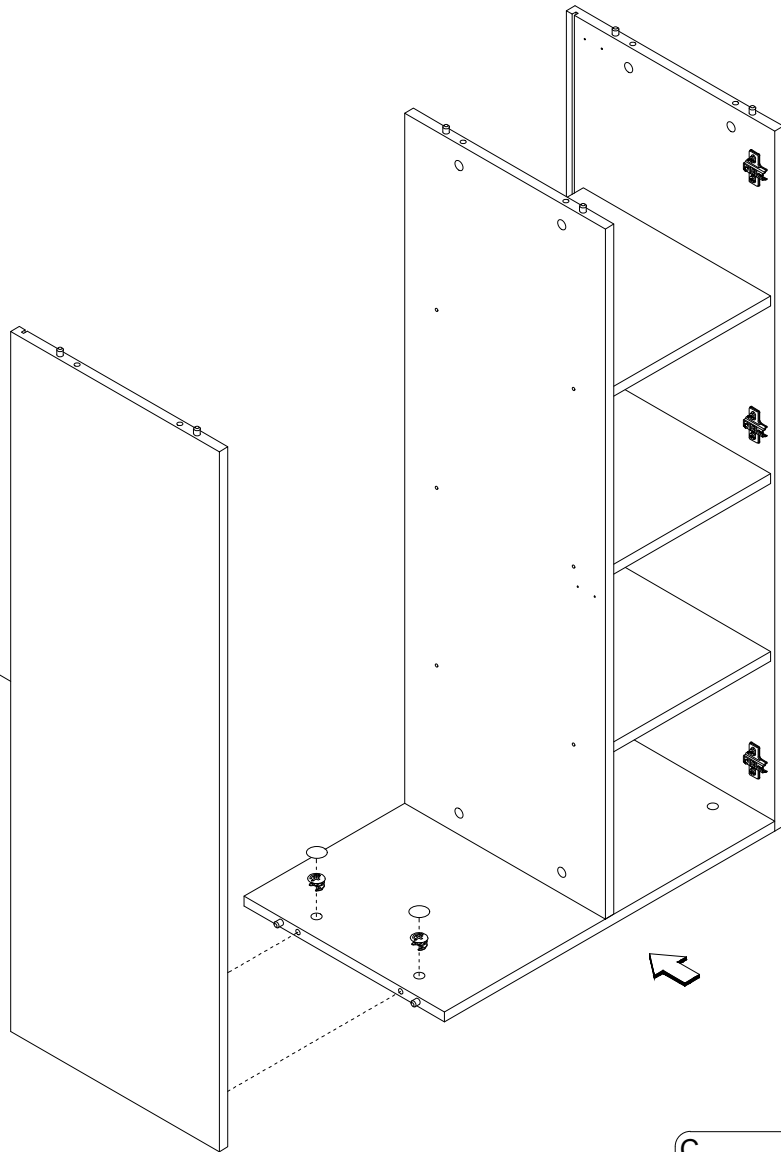
8



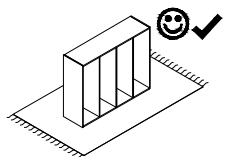
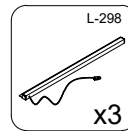
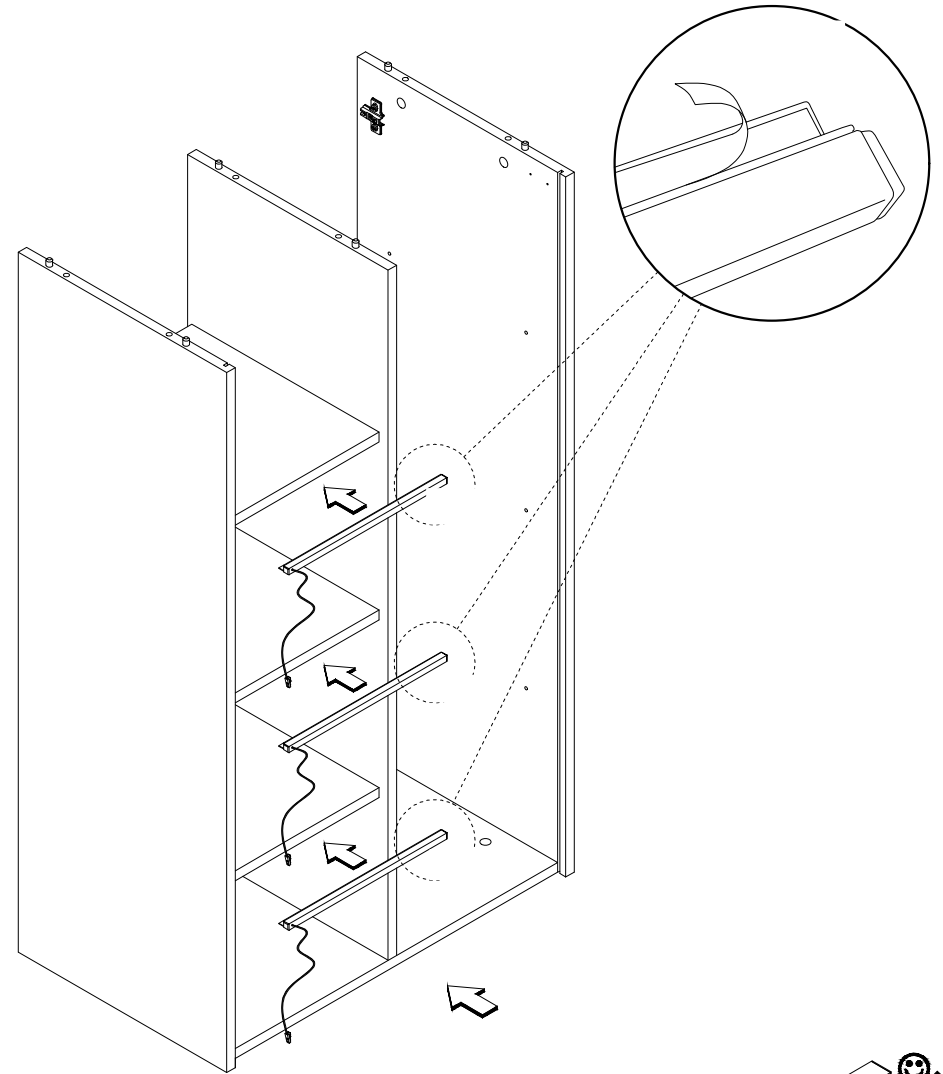
9



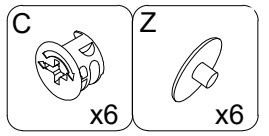
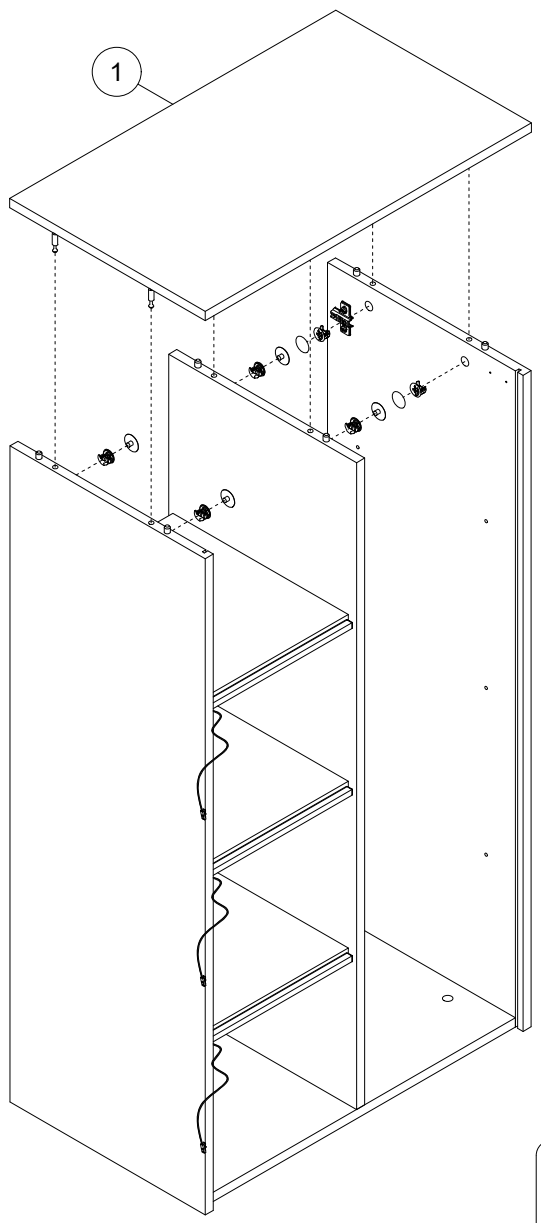
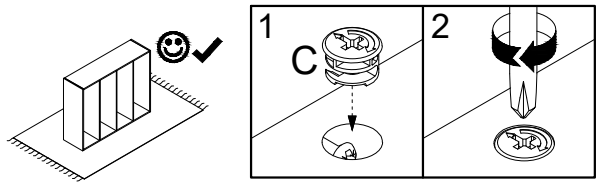
3L



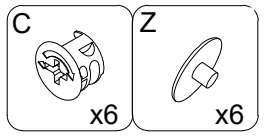
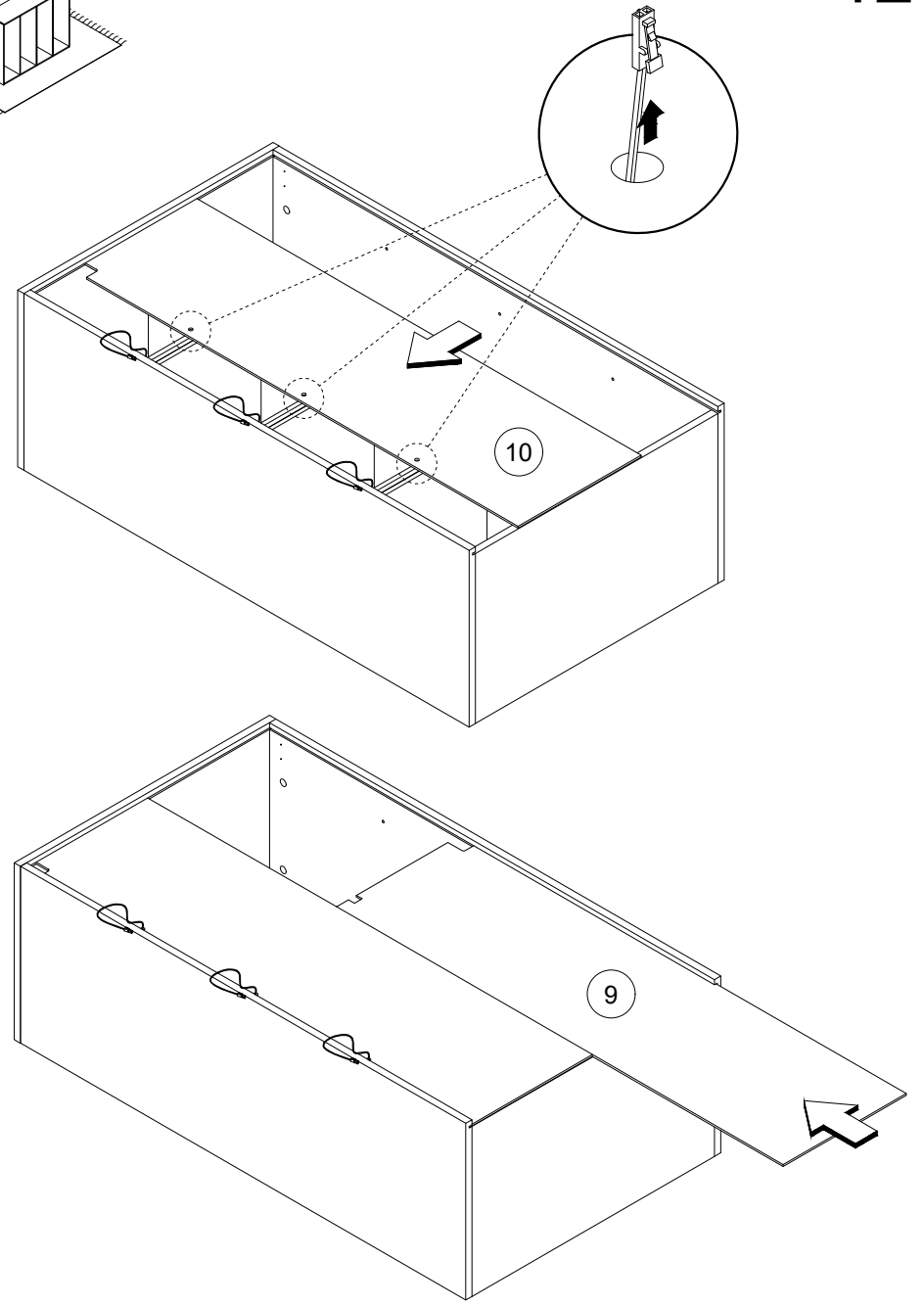
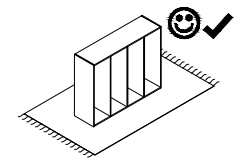
10



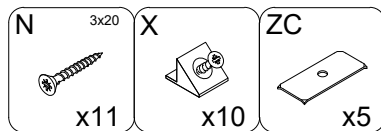
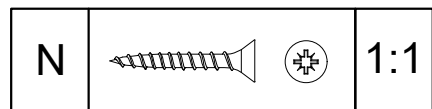
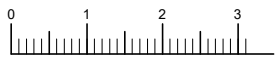
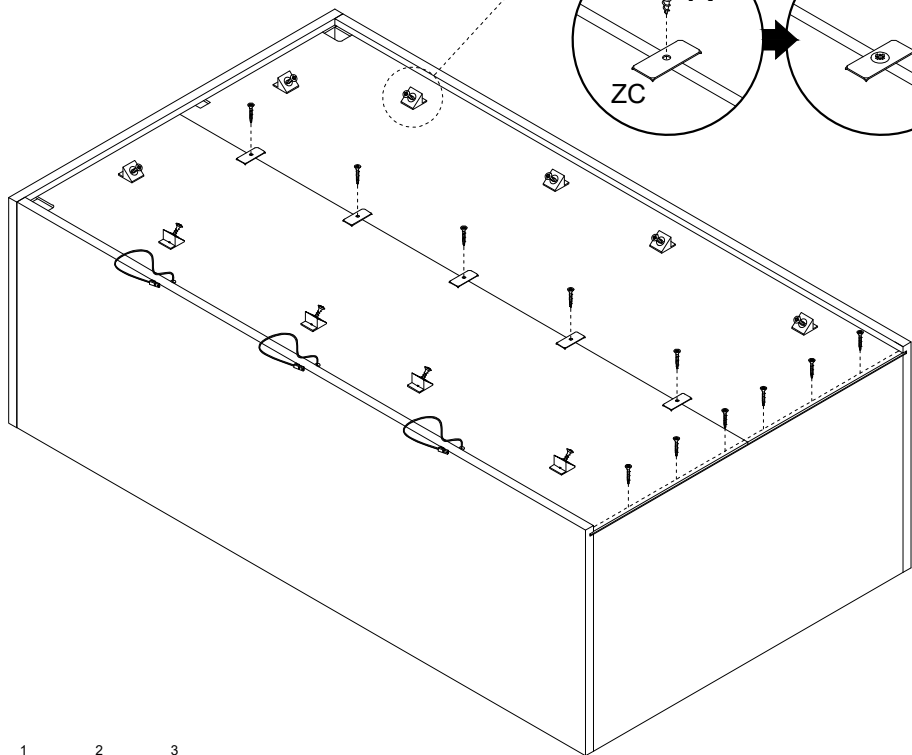
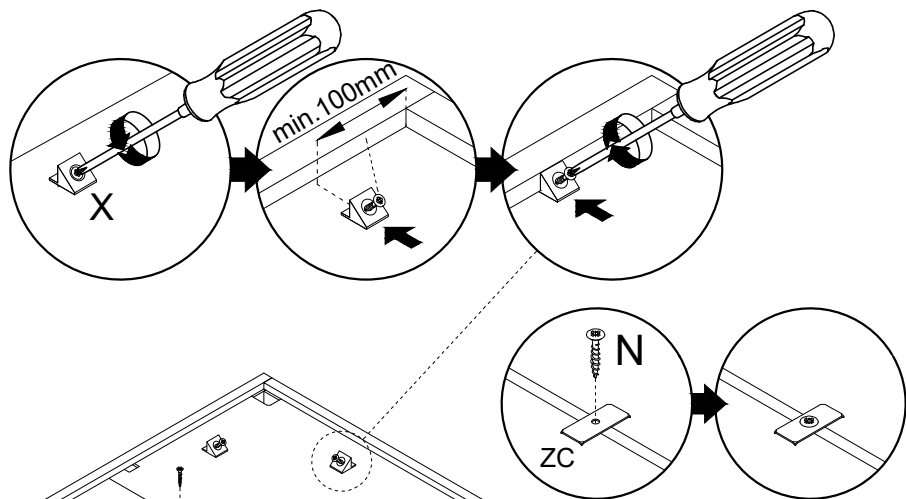
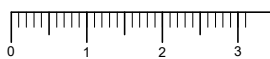
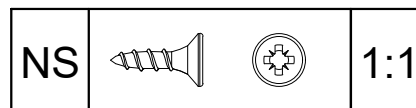
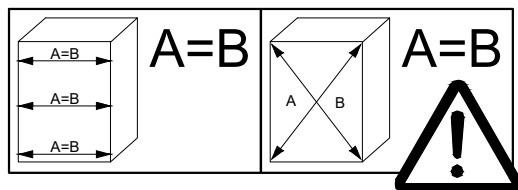
11



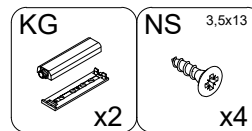
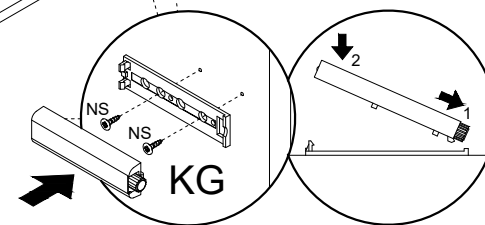
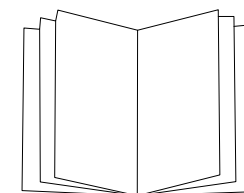
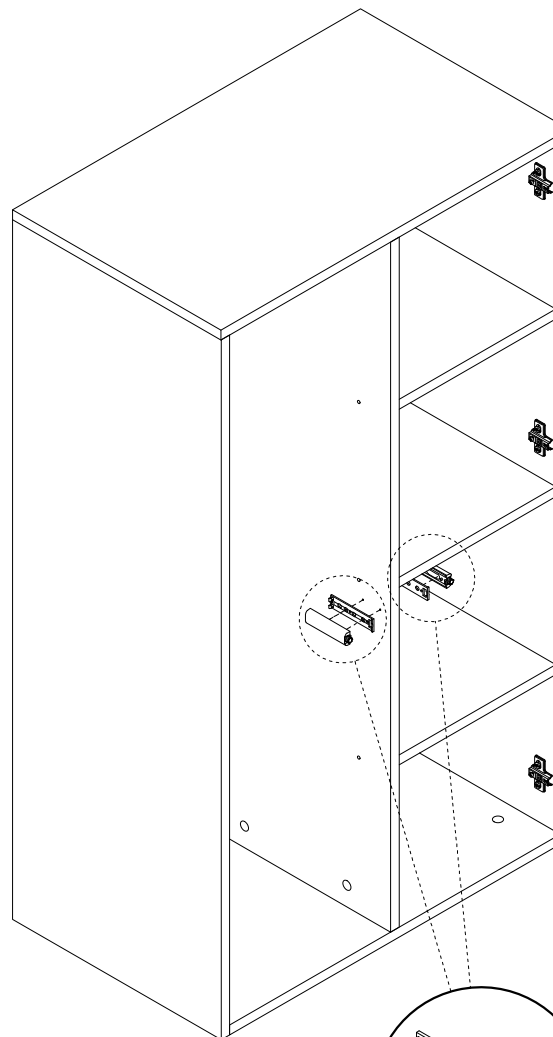
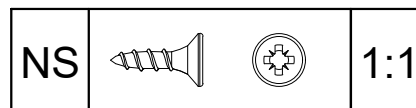
12

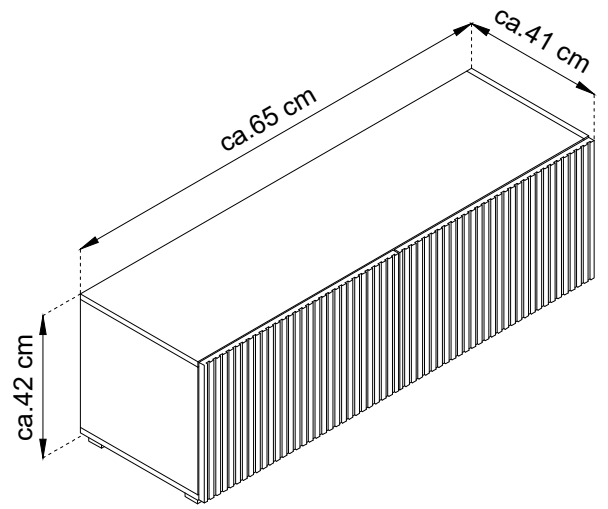
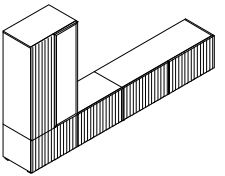
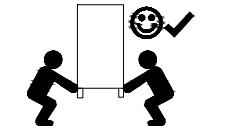
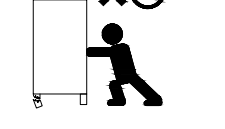
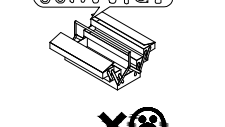
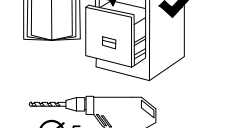
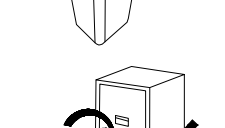
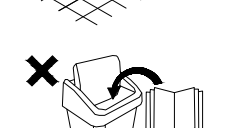
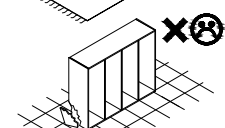
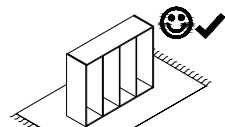
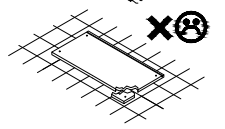
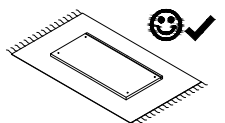


13

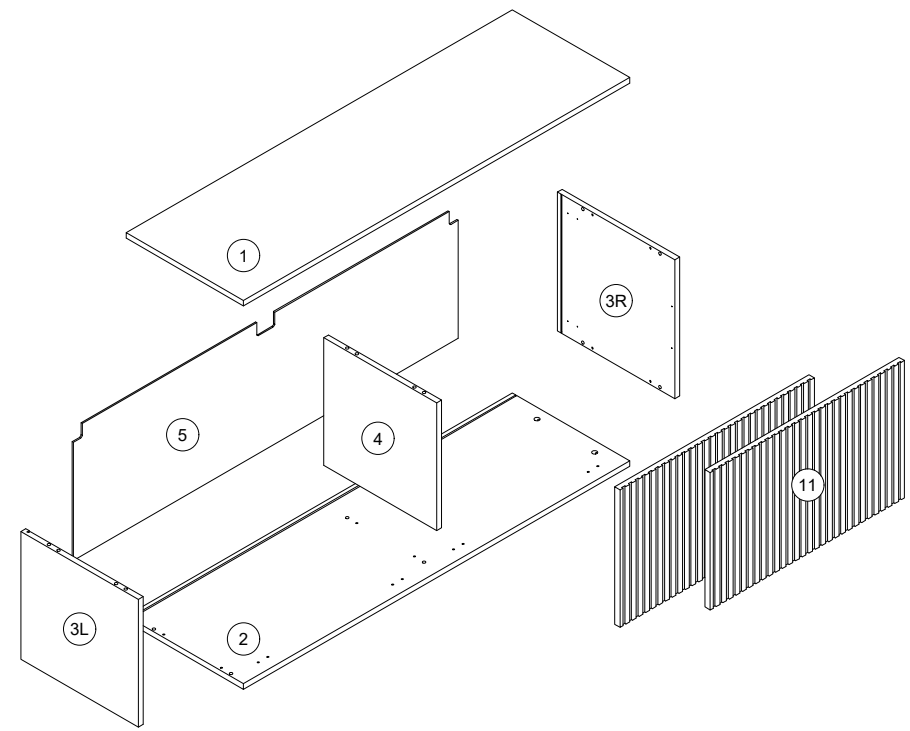


14

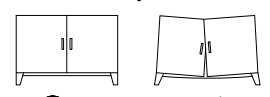




22.09.2025



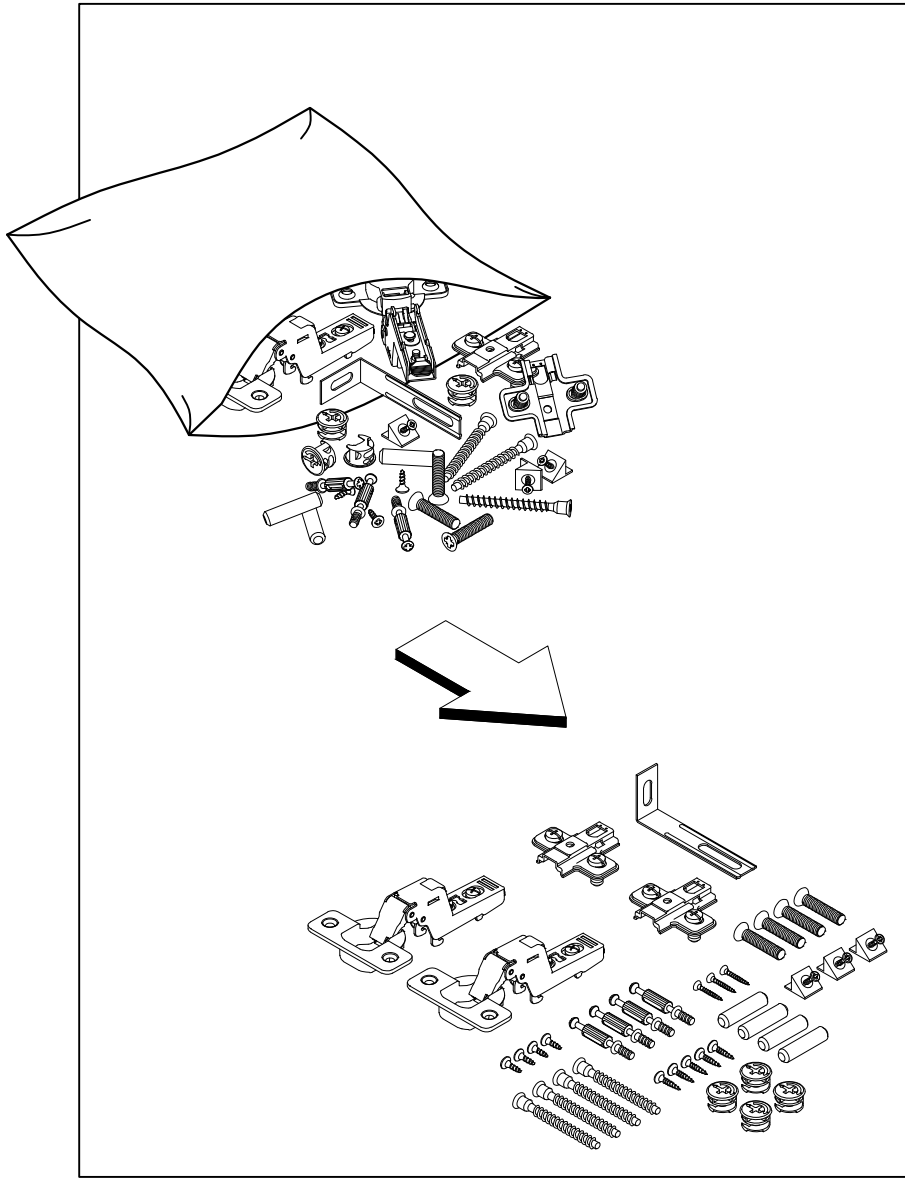
max. KG = 45 kg.



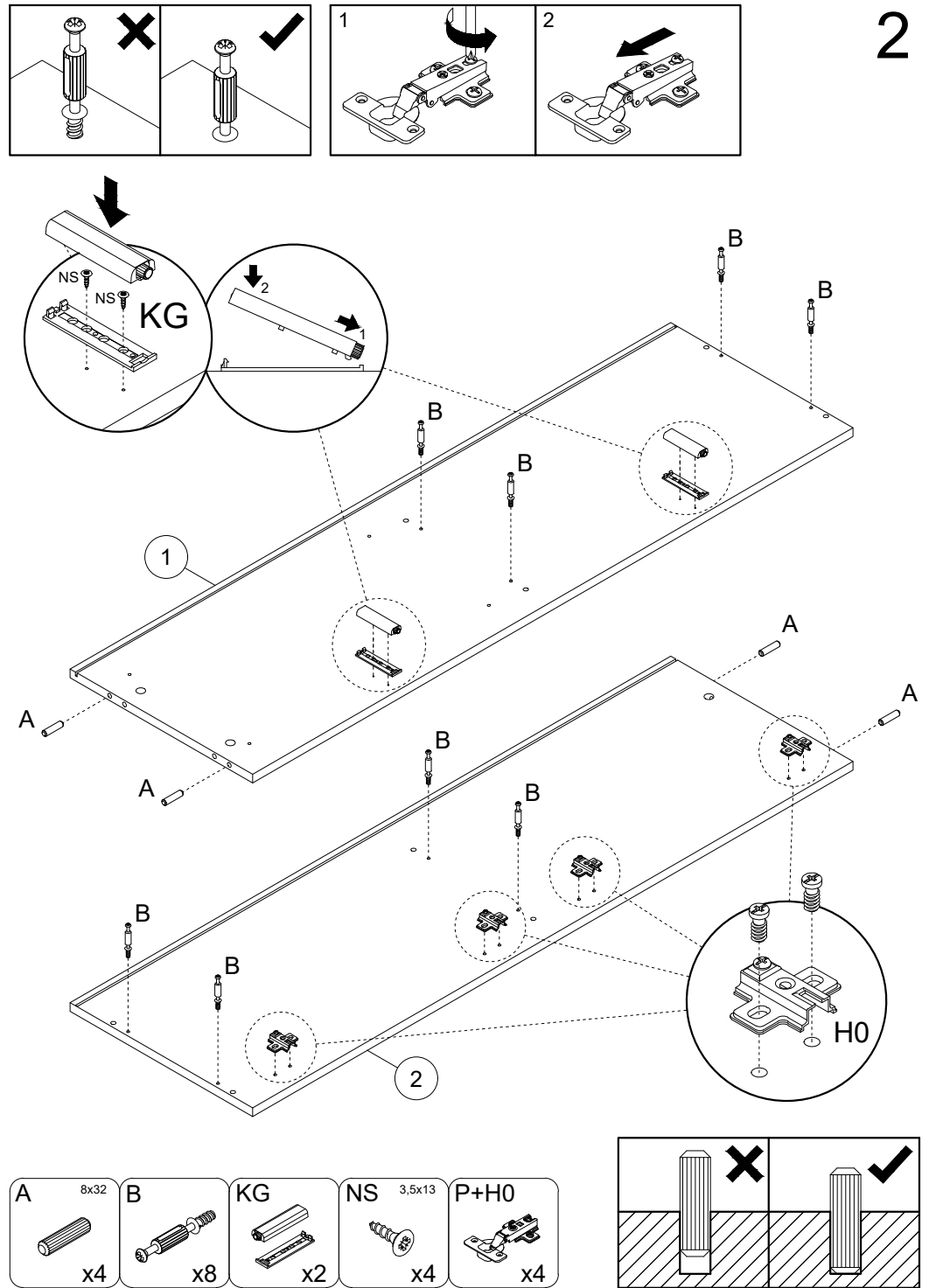
A	8x32	B		C		KG	
	x12		x12		x12		x2
N	3x20	NS	3,5x13	OG		P+H0	W2
	x3		x12		x2		x6
W3		W4		X		Y	Z
	x3		x3		x12		x5
							x10

					4 / 4
1	1284	390	16	x1	4 / 4
2	1284	390	16	x1	4 / 4
3L	400	390	16	x1	4 / 4
3R	368	390	16	x1	4 / 4
4	368	375	16	x1	4 / 4
5	380	1280	2.5	x1	4 / 4
11	646	396	16	x2	4 / 4

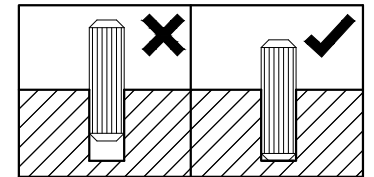
1



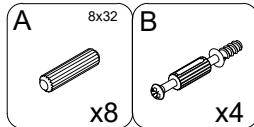
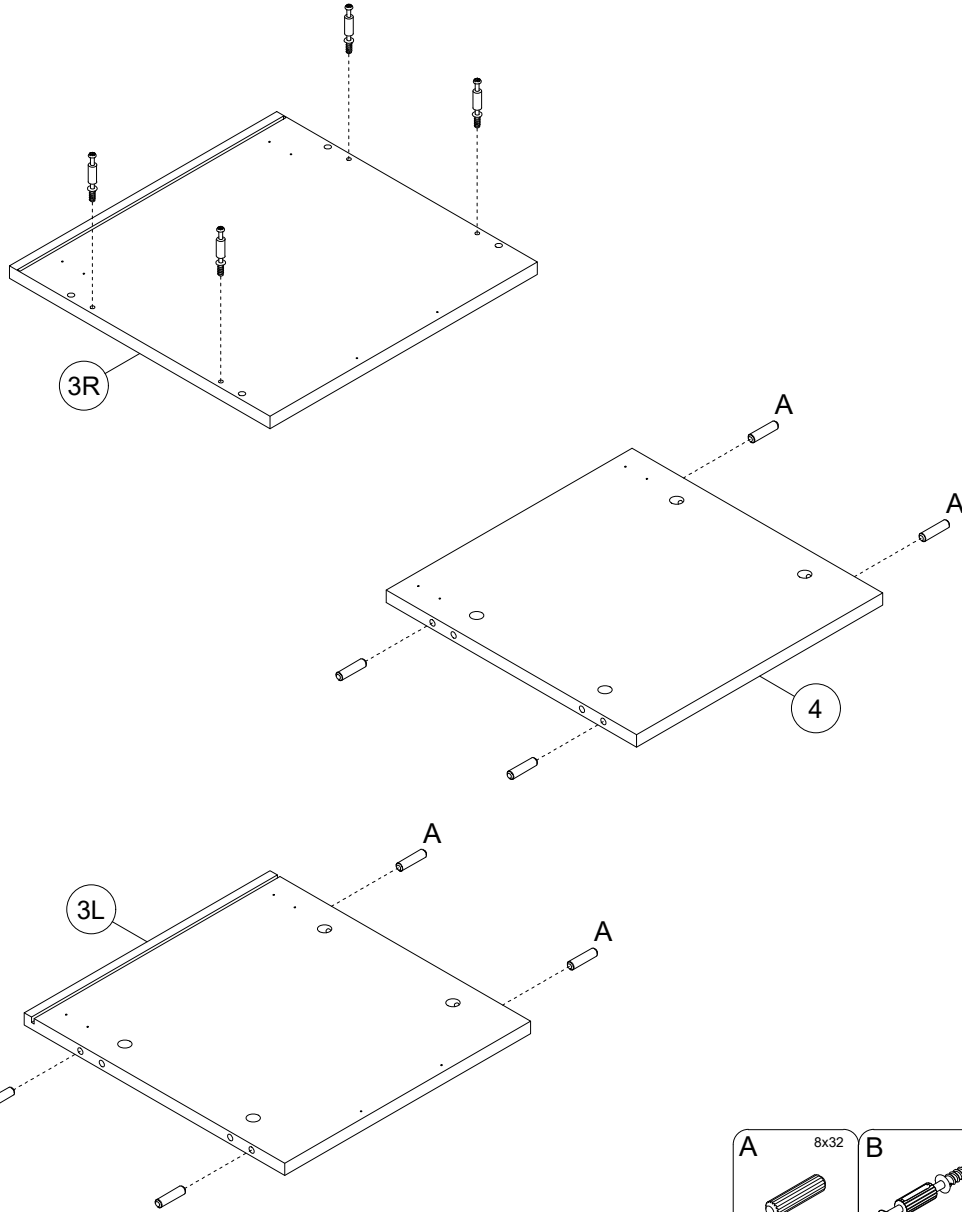
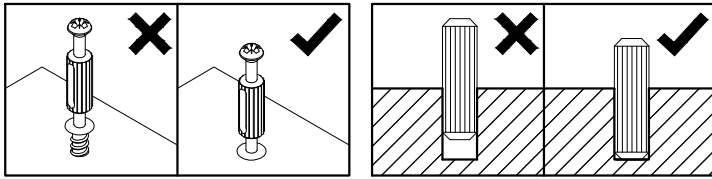
2



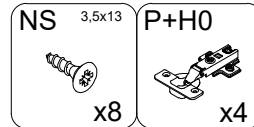
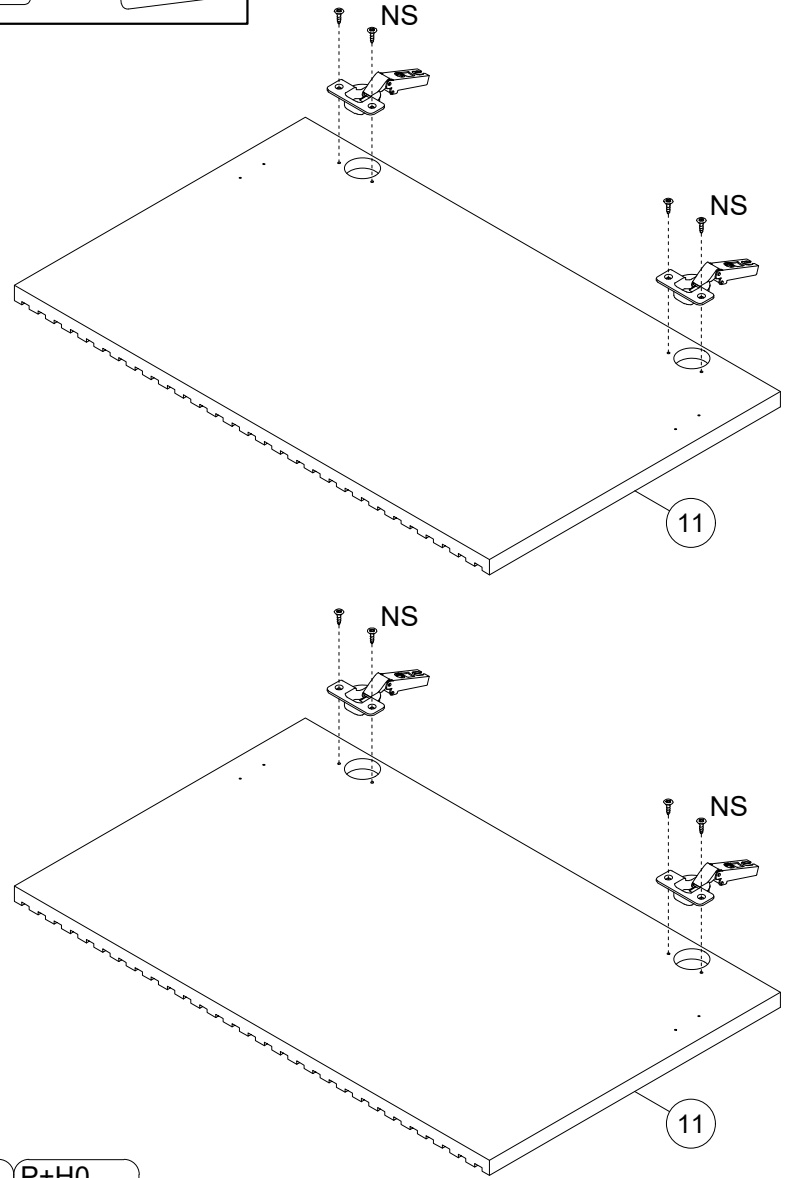
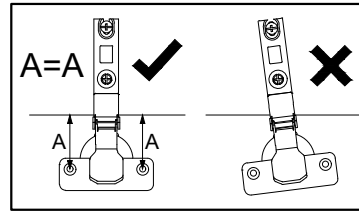
- | | | | | |
|------------------------|----------------|-----------------|------------------------|-------------------|
| A
8x32
x4 | B
x8 | KG
x2 | NS 3,5x13
x4 | P+H0
x4 |
|------------------------|----------------|-----------------|------------------------|-------------------|



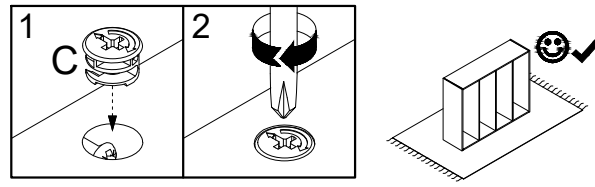
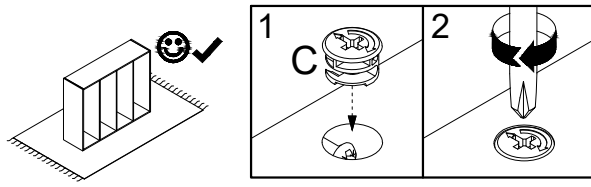
3



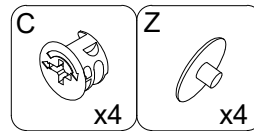
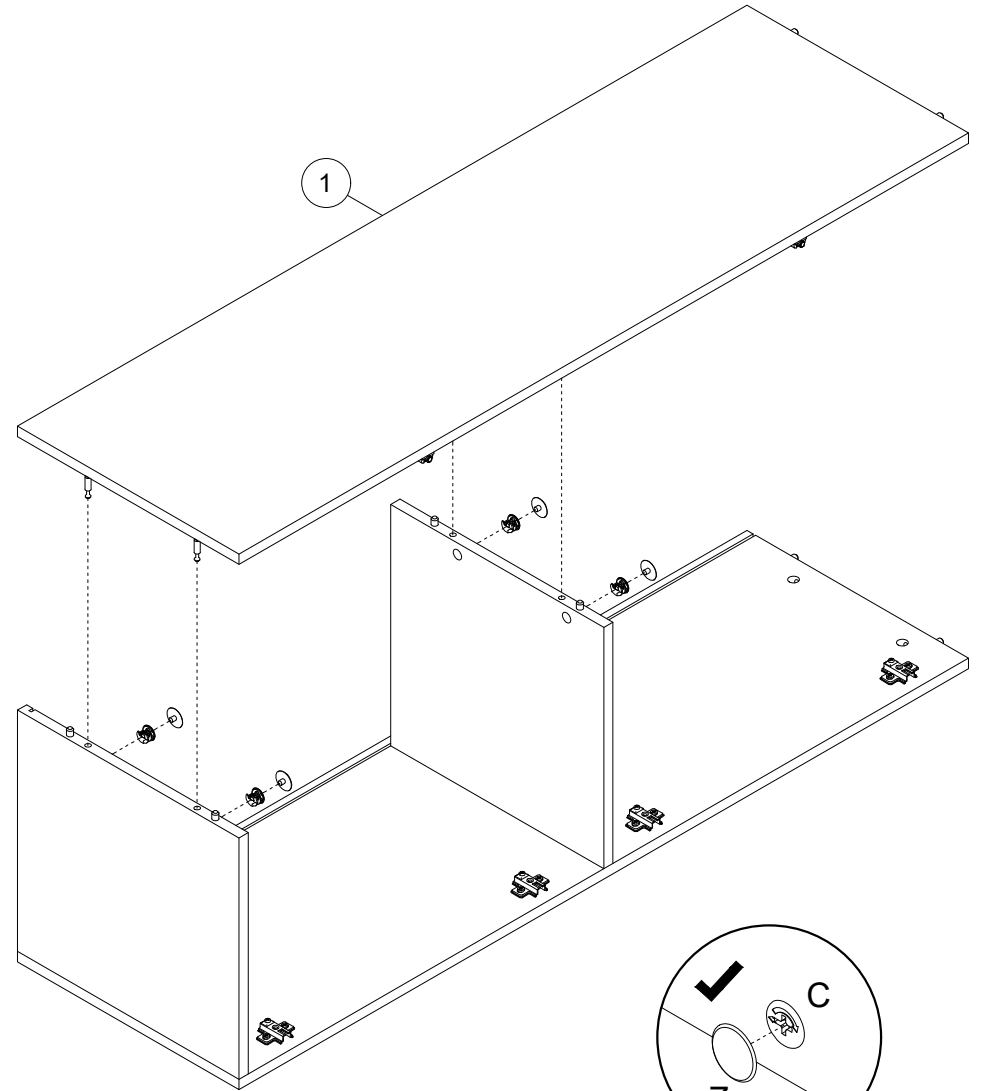
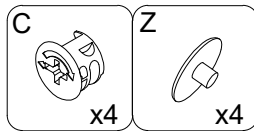
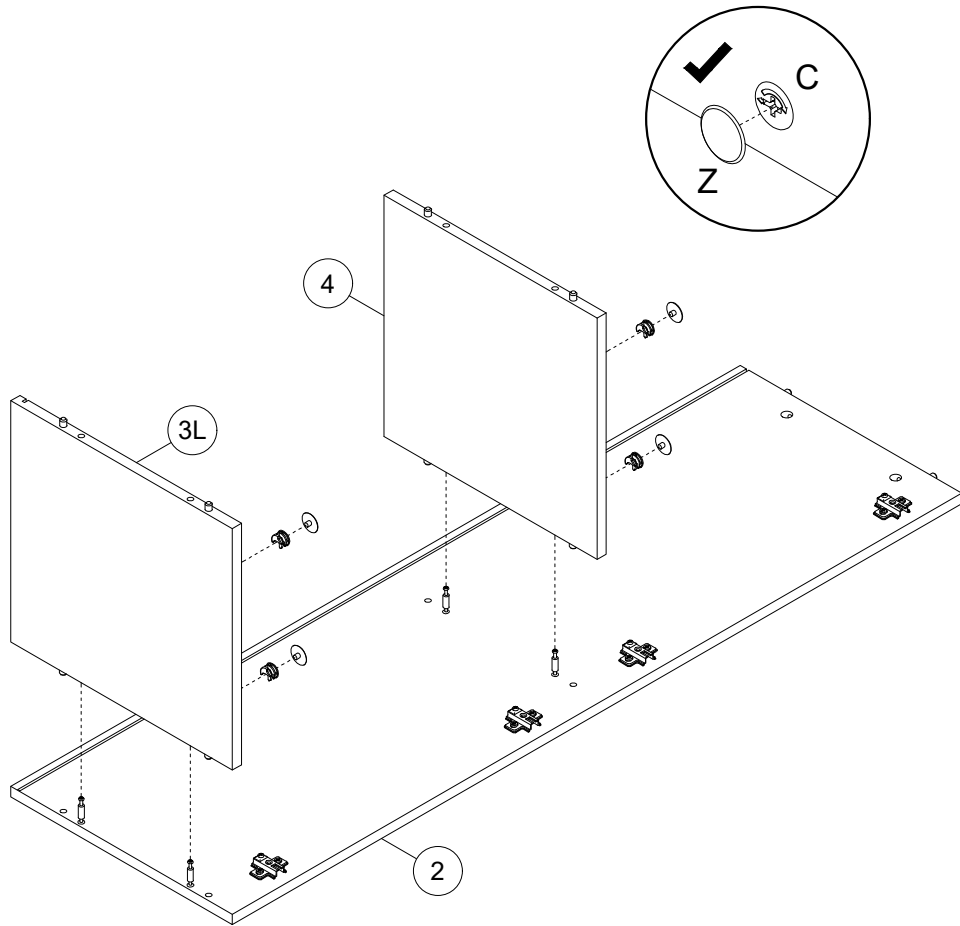
4



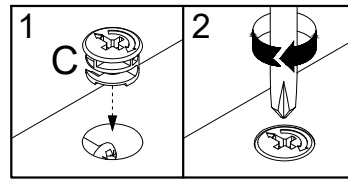
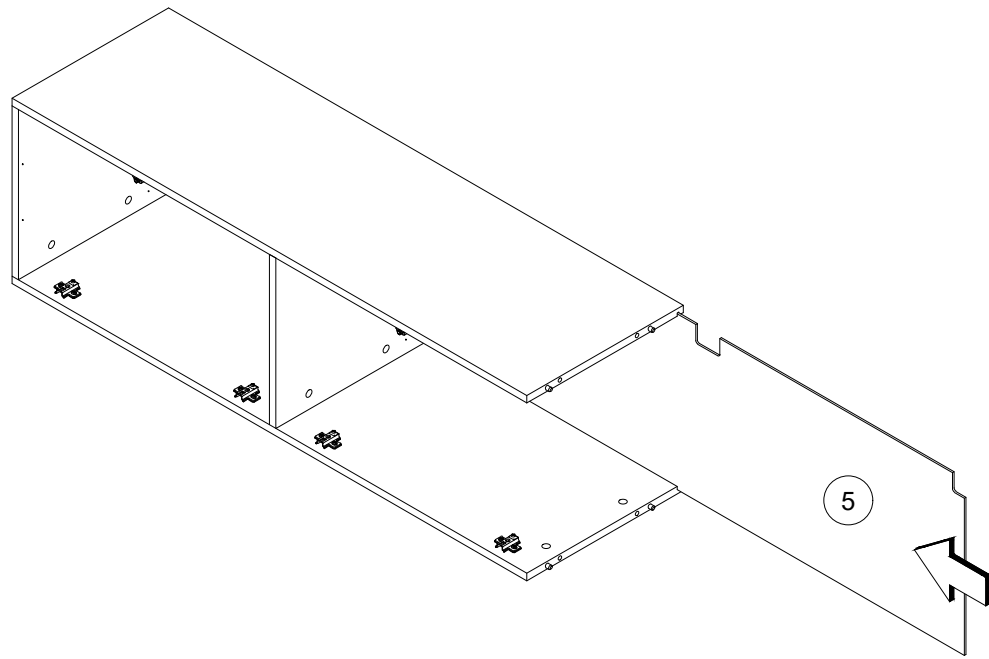
5



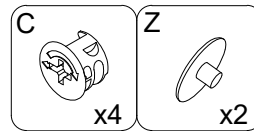
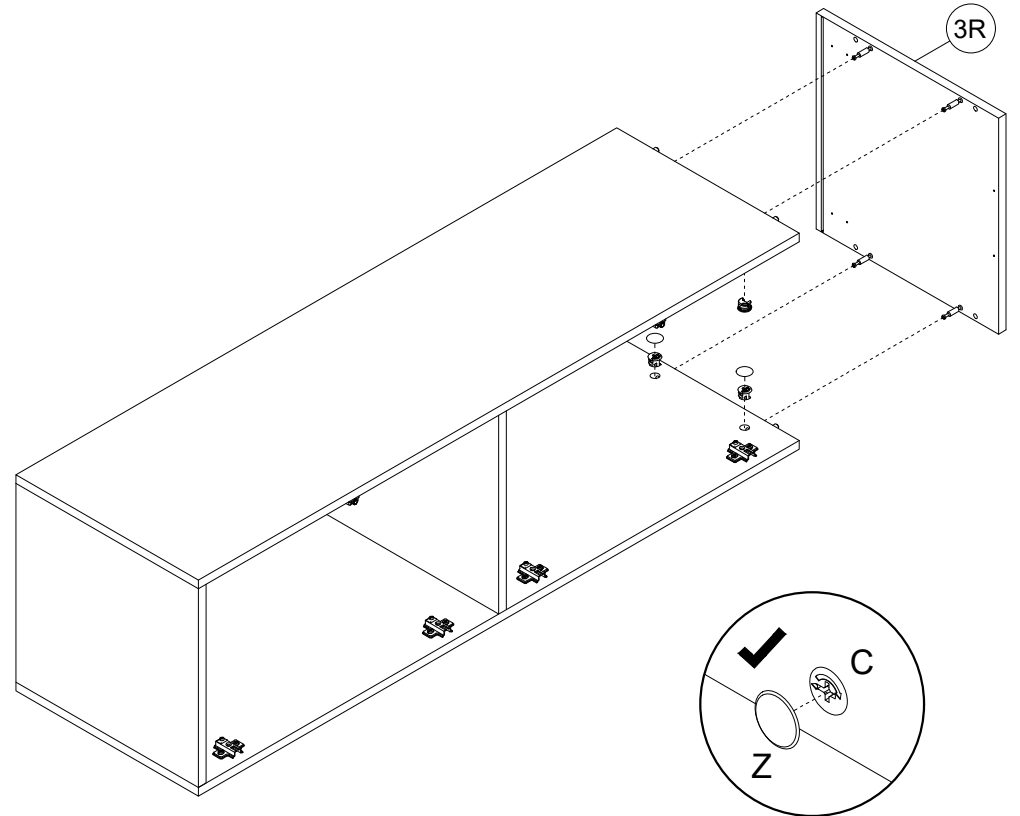
6

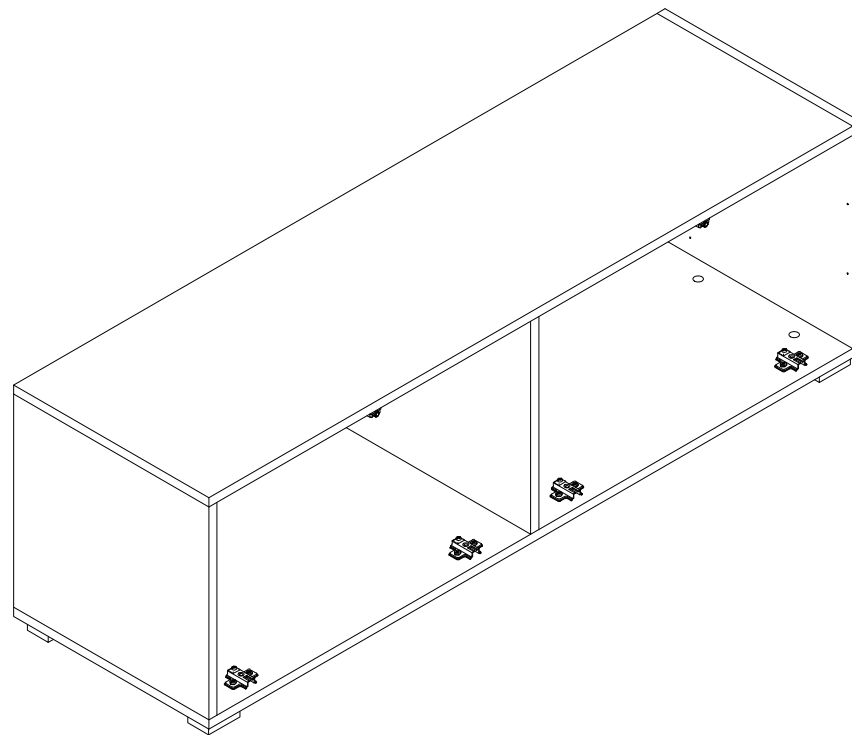
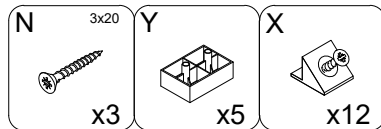
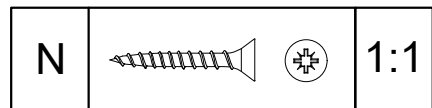
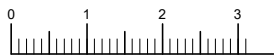
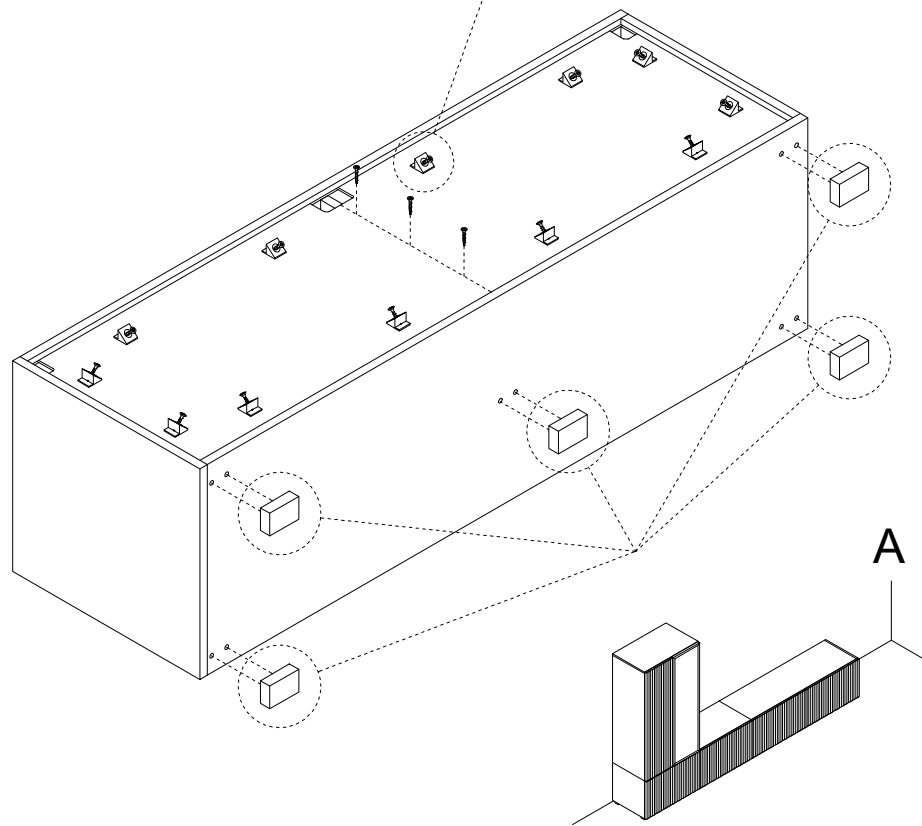
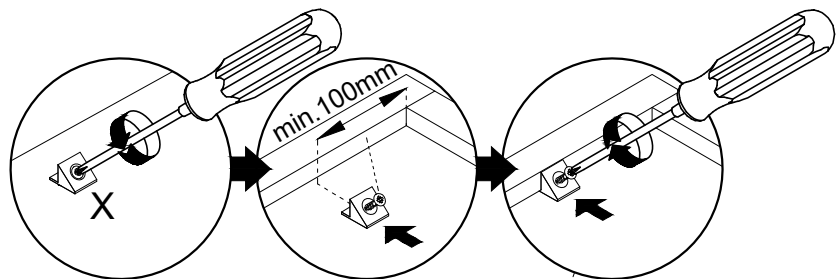
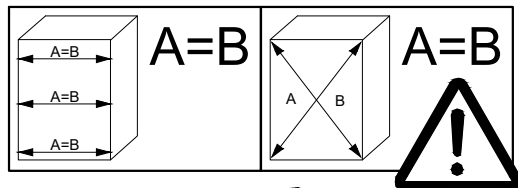


7



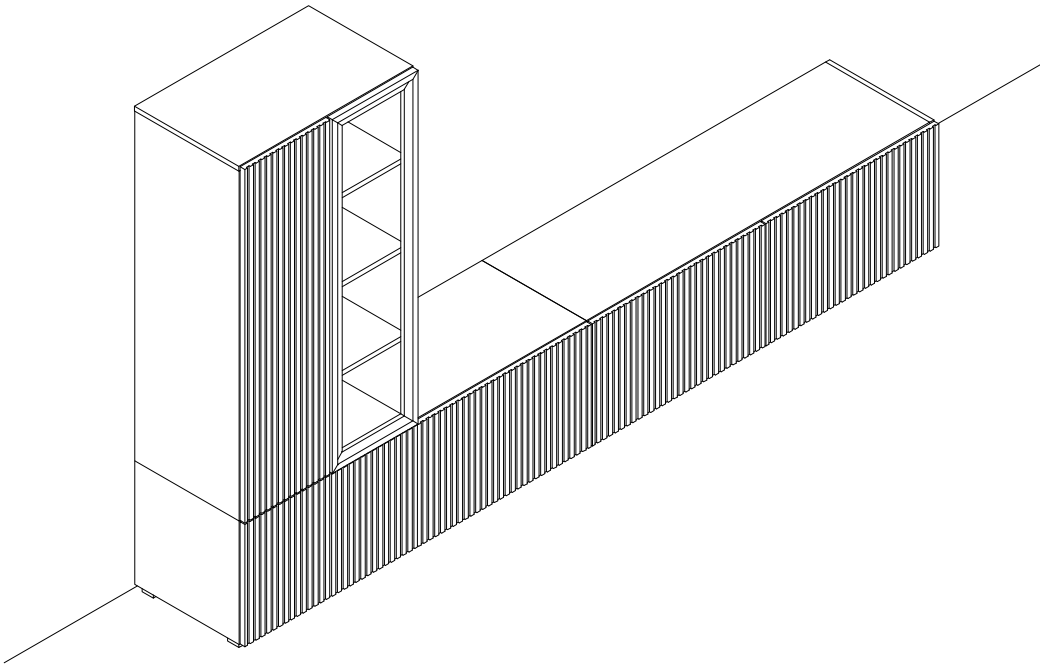
8





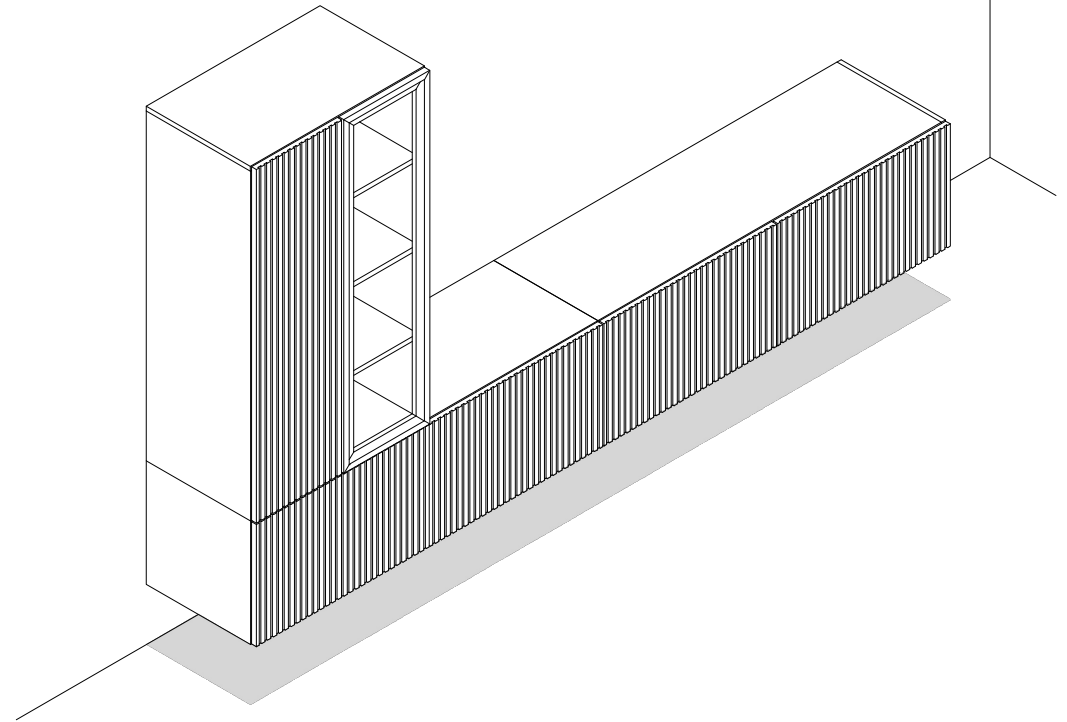
11

A



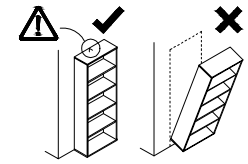
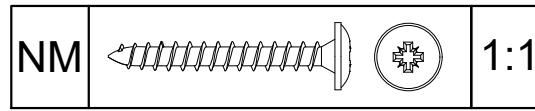
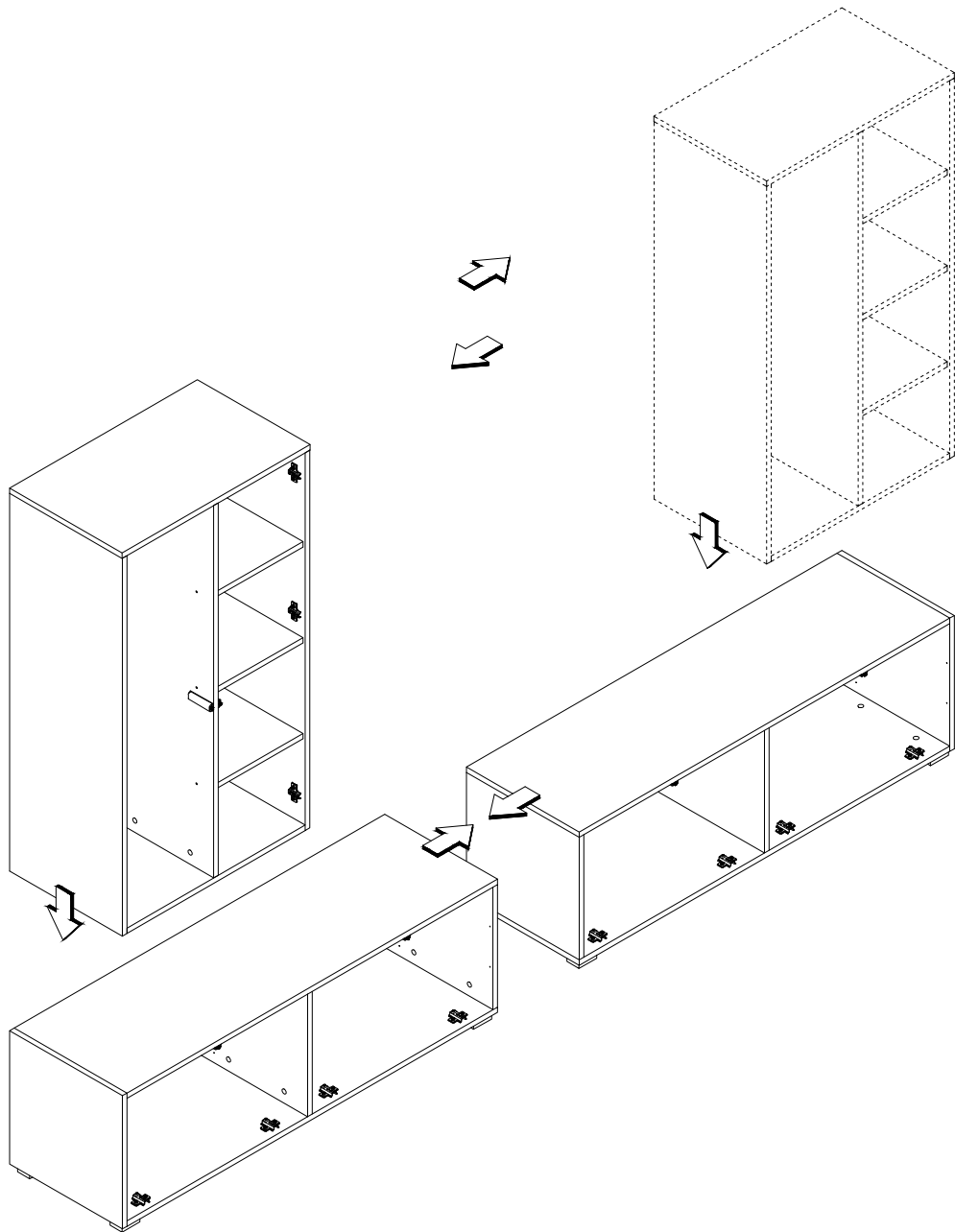
12

B

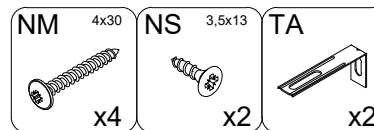
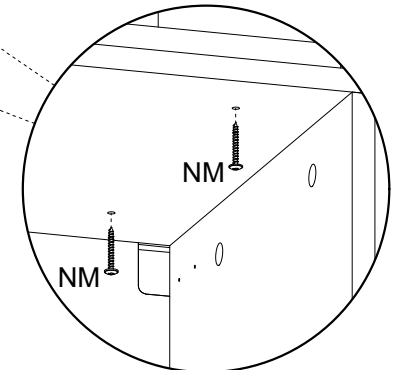
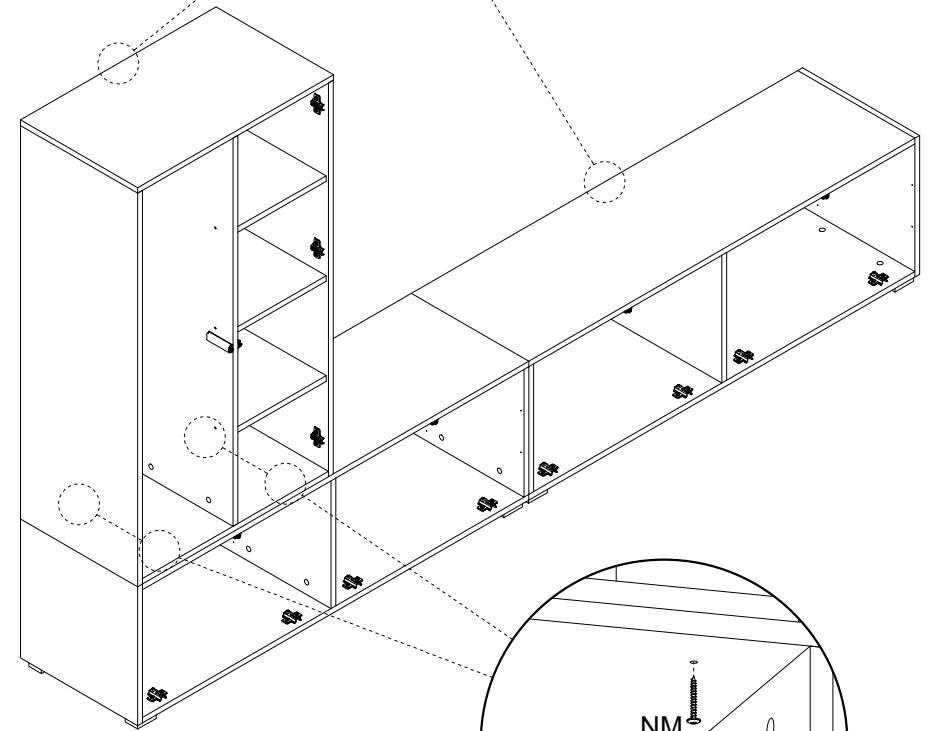
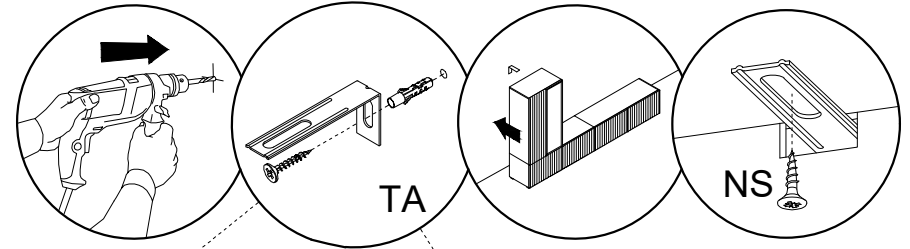


13

A

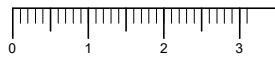
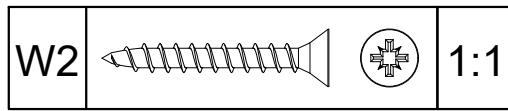


14

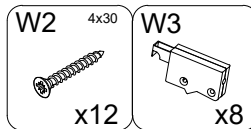
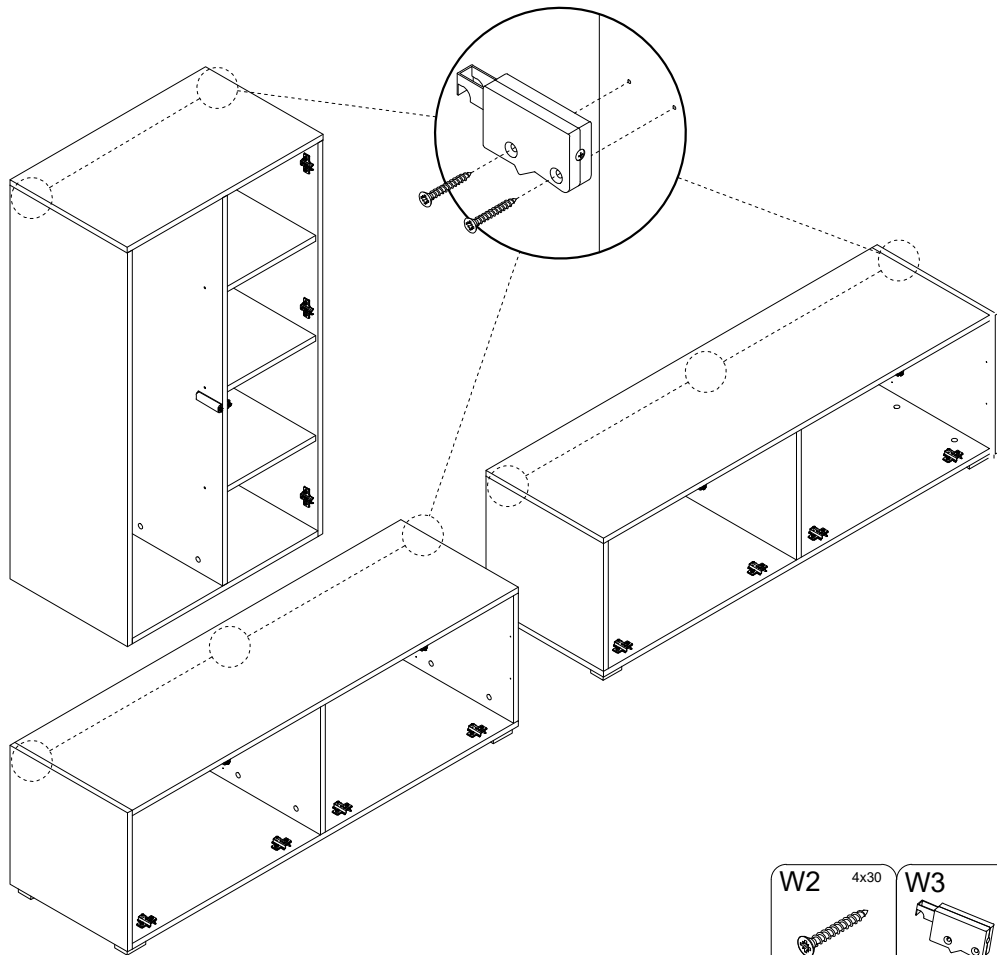
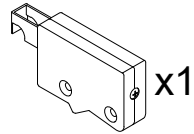


15

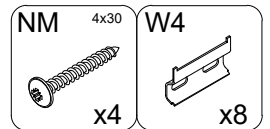
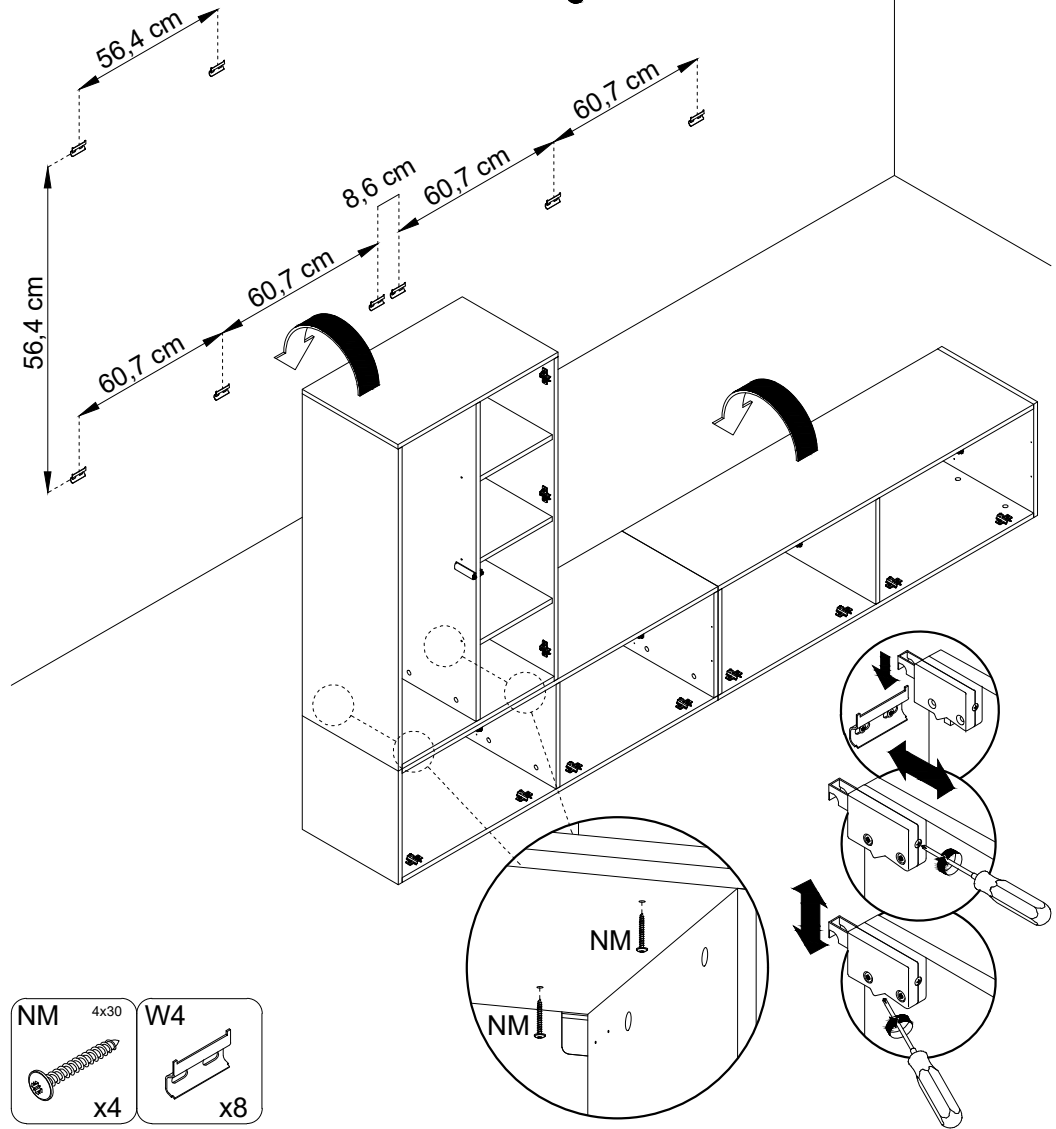
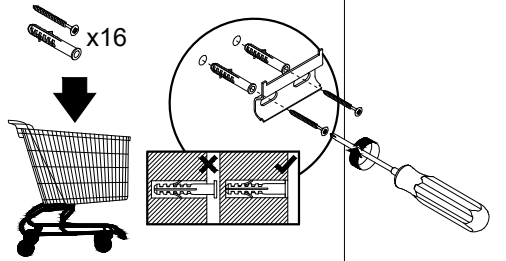
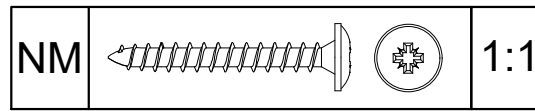
B

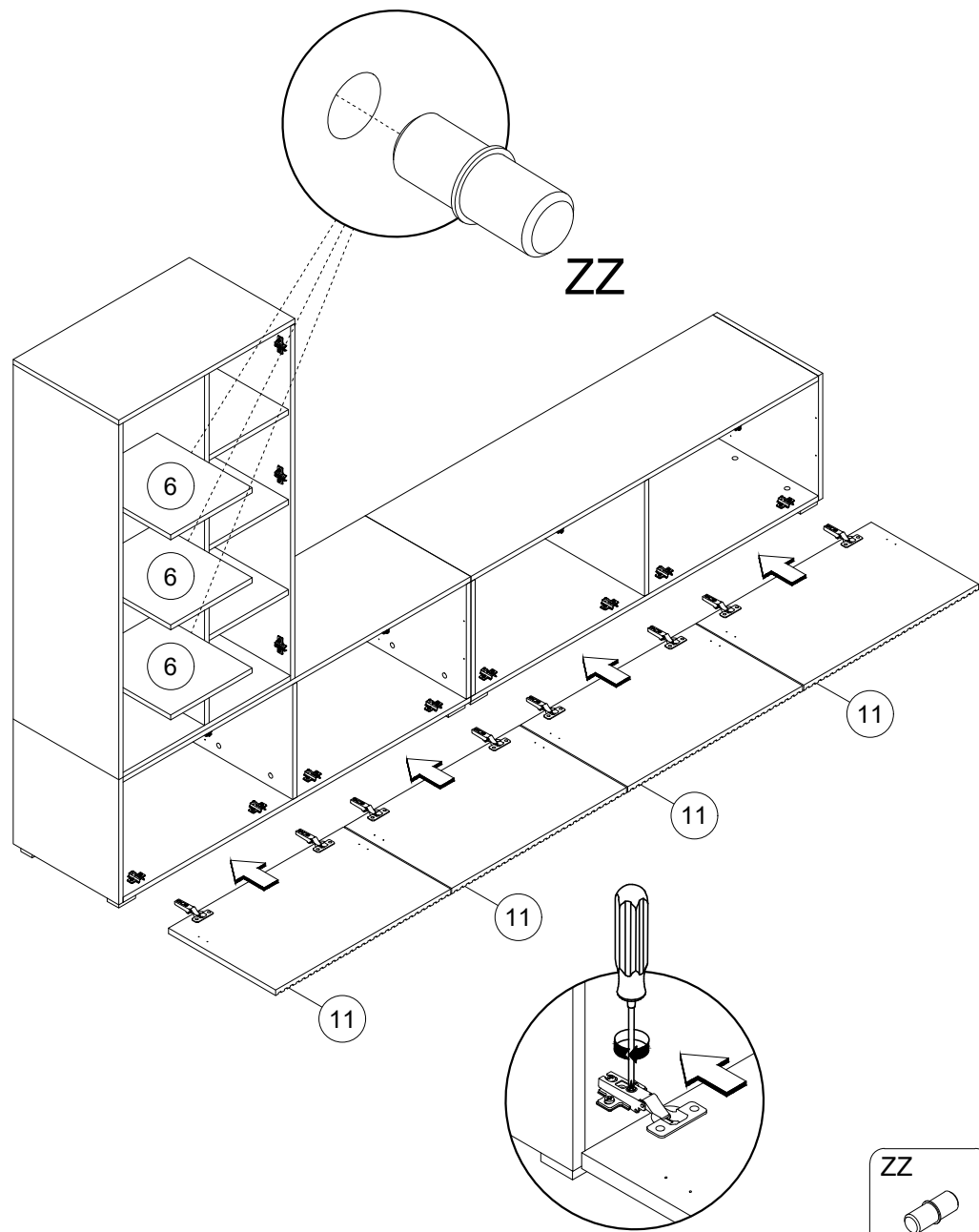


max. KG = 50 kg.

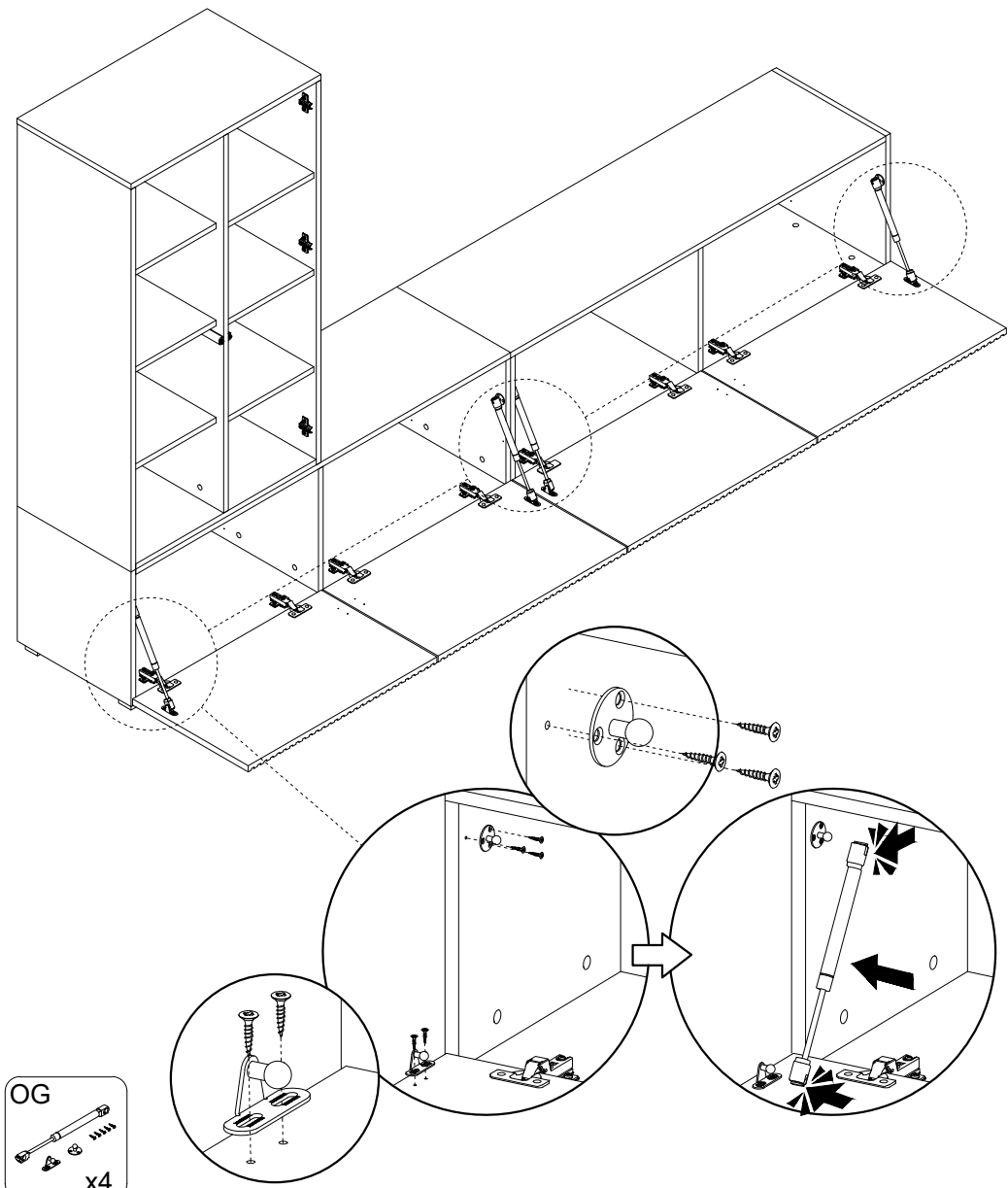


16

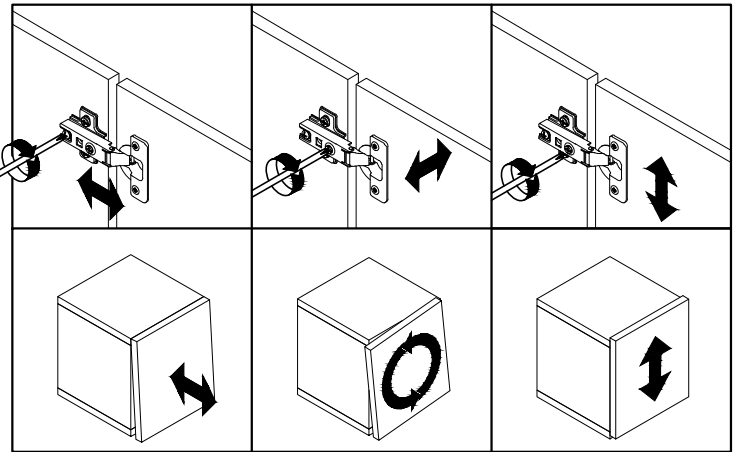
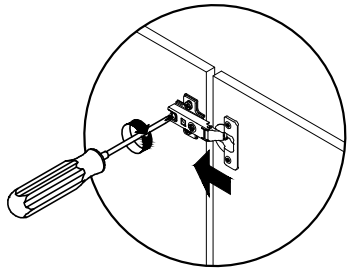
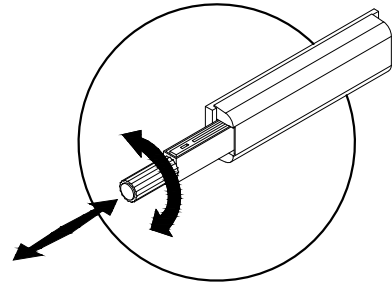
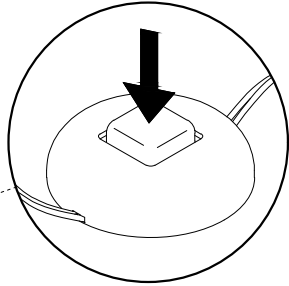
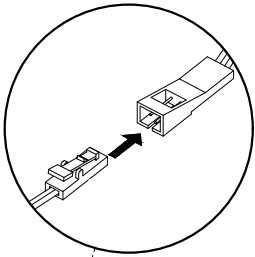
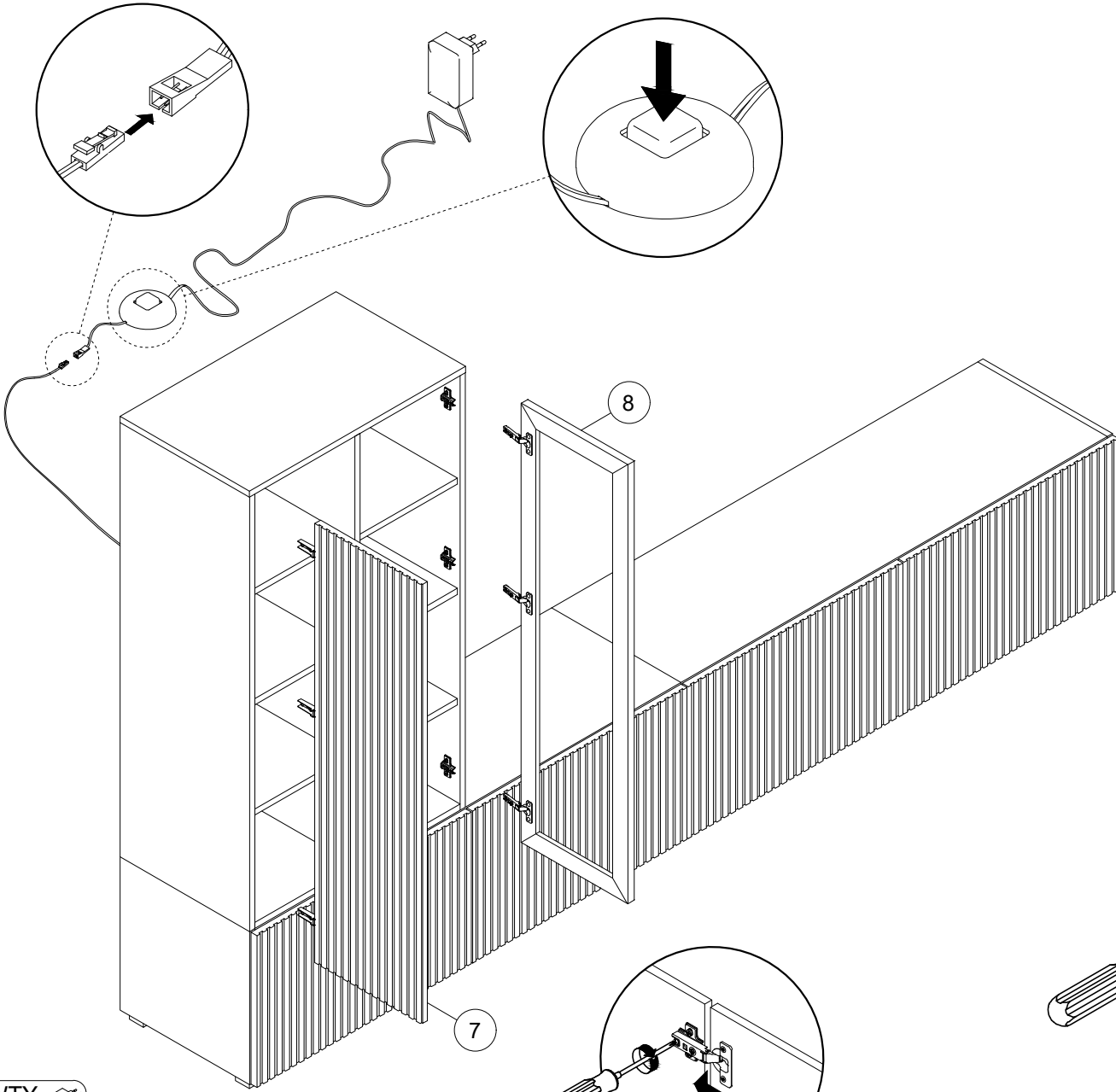


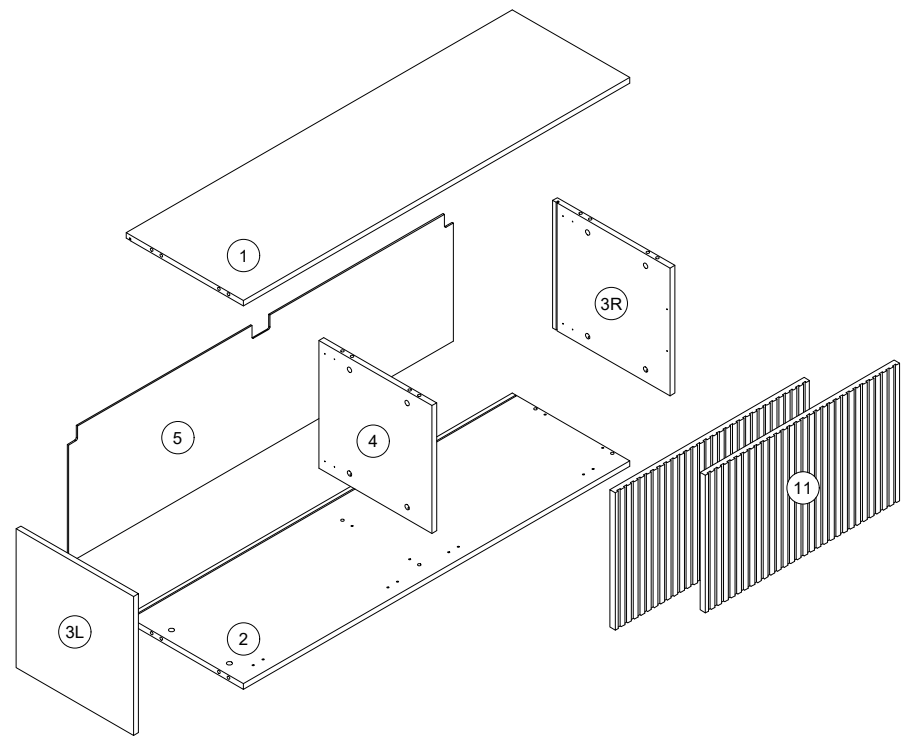
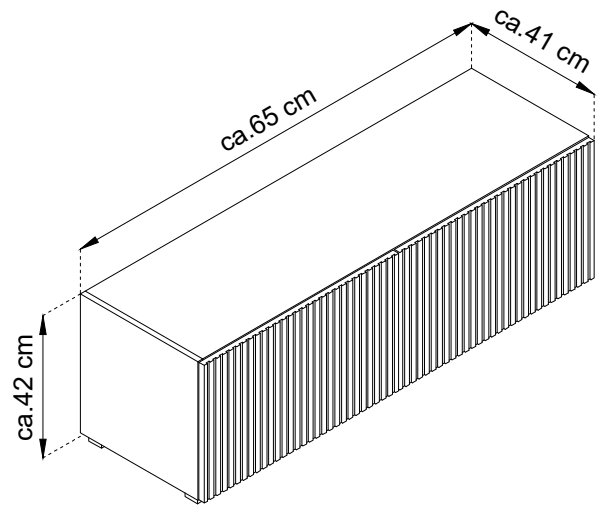
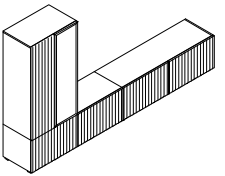
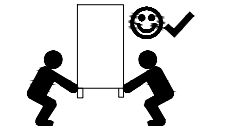
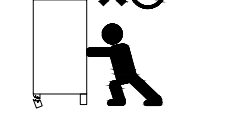
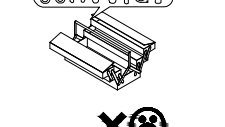
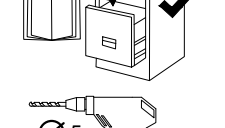
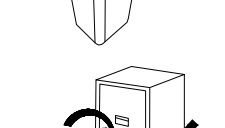
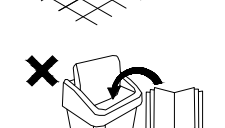
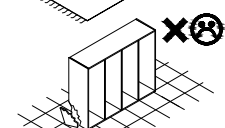
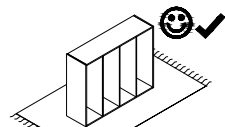
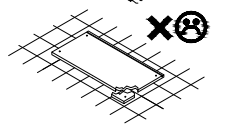
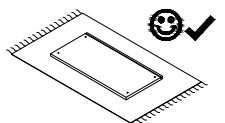


ZZ
x12

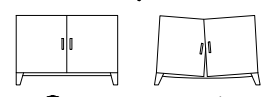


OG
x4





max. KG = 45 kg.

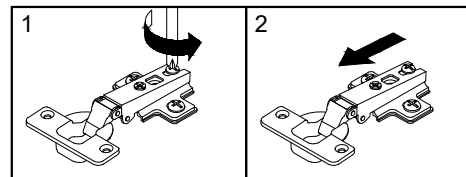
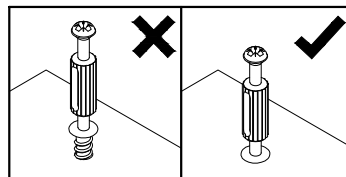
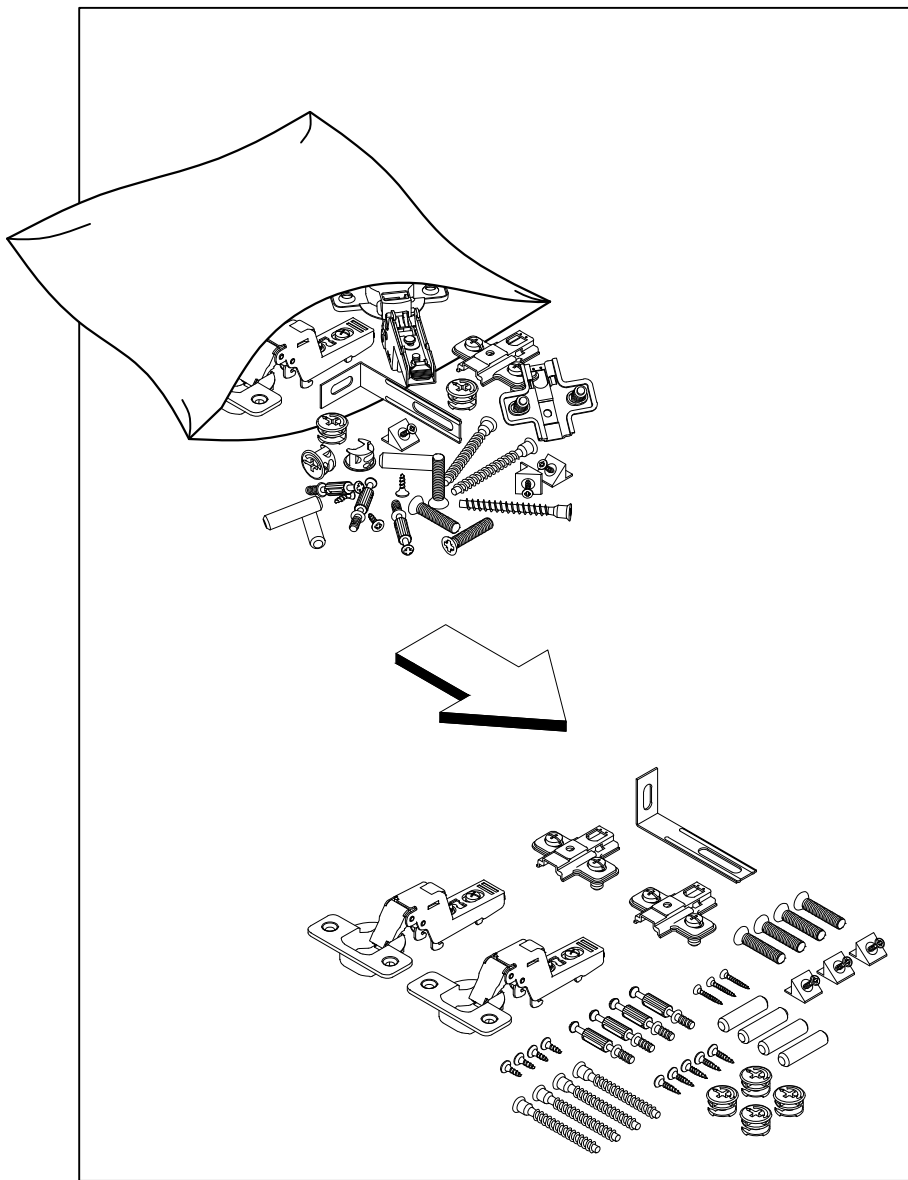


A	8x32	B		C		KG	
x12		x12		x12		x2	
N	3x20	NS	3,5x13	OG		P+H0	W2
x3		x12		x2		x4	x6
W3		W4		X		Y	Z
x3		x3		x12		x5	x10

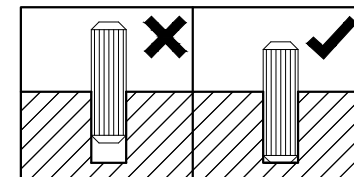
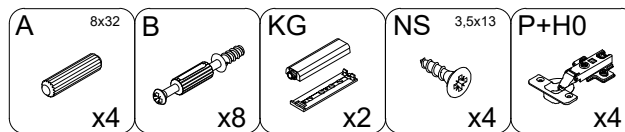
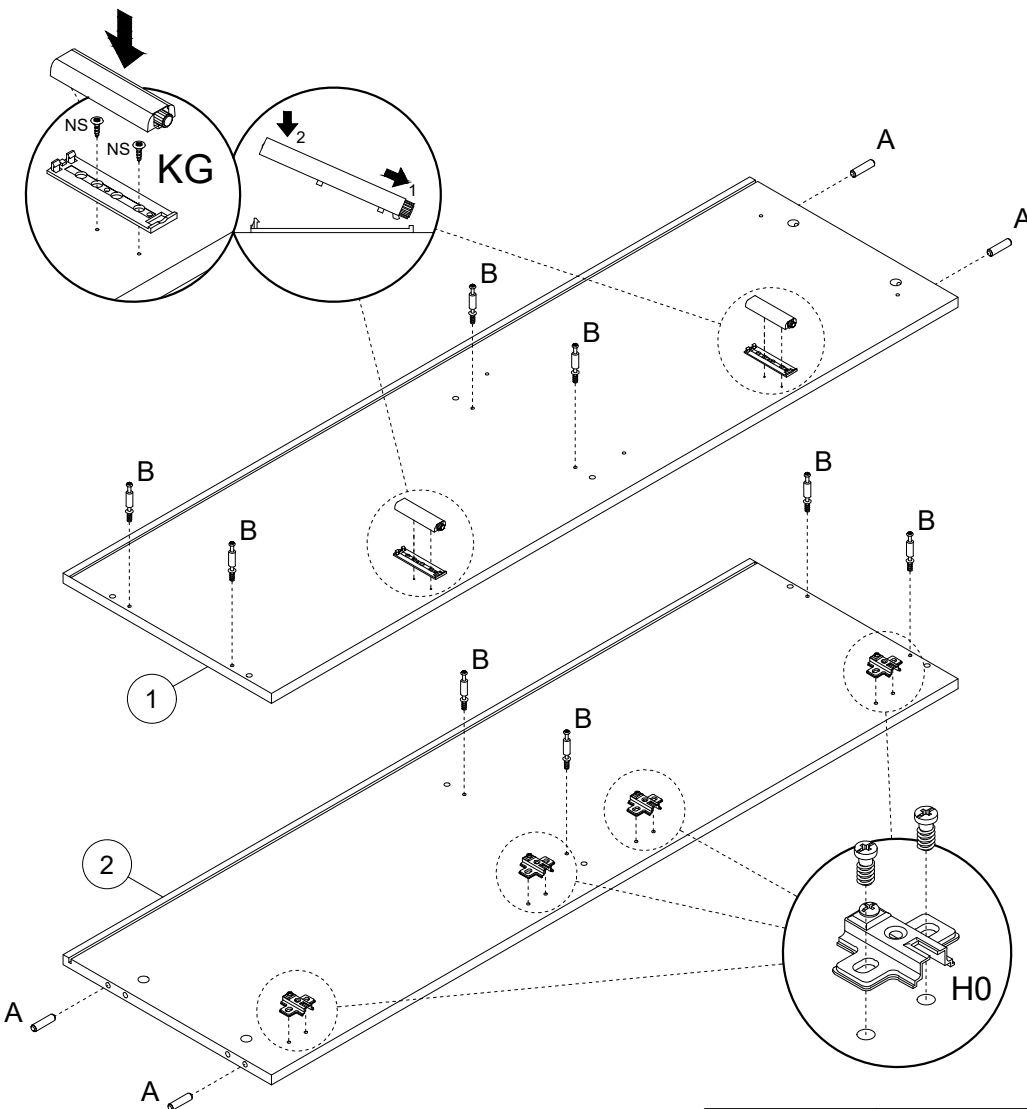
					3 / 4
1	1284	390	16	x1	3 / 4
2	1284	390	16	x1	3 / 4
3L	400	390	16	x1	3 / 4
3R	368	390	16	x1	3 / 4
4	368	375	16	x1	3 / 4
5	380	1280	2.5	x1	3 / 4
11	646	396	16	x2	3 / 4

22.09.2025

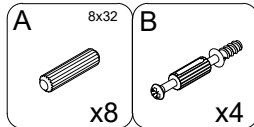
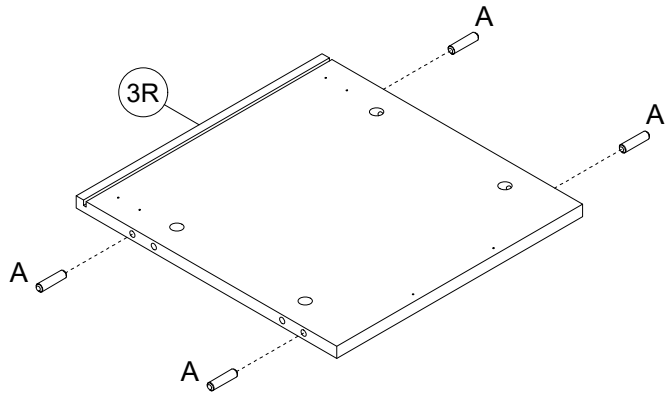
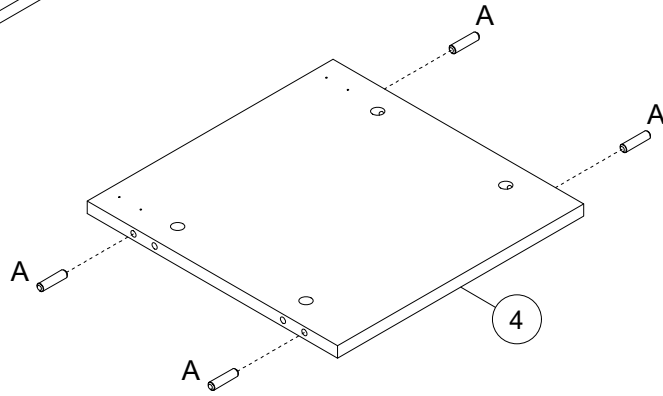
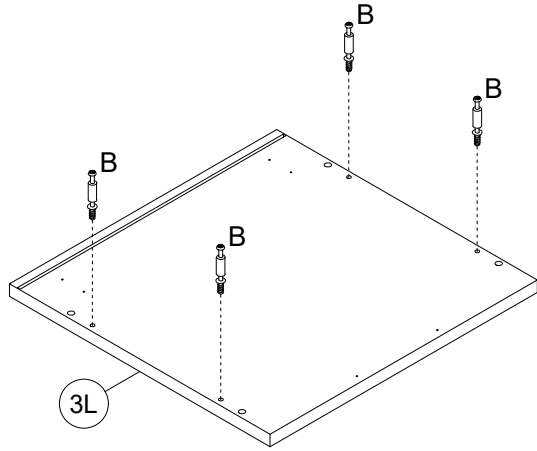
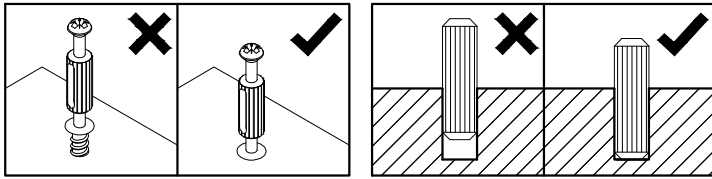
1



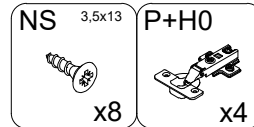
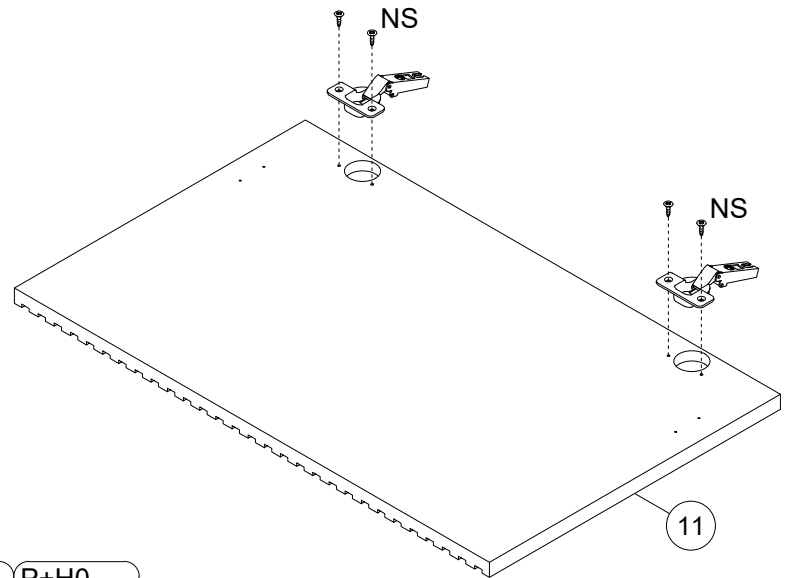
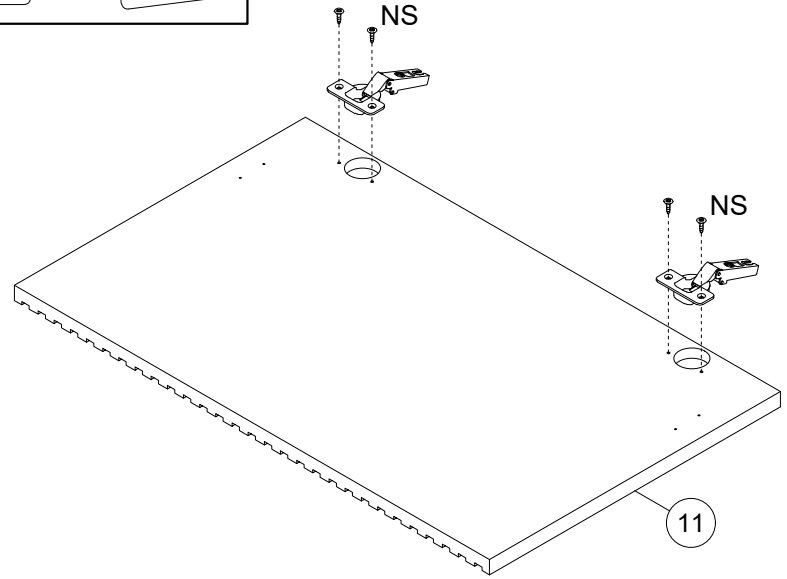
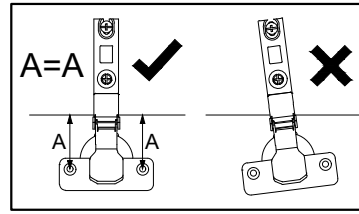
2



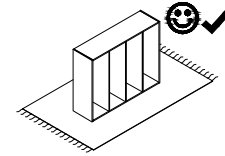
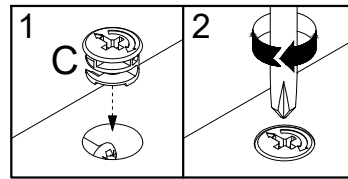
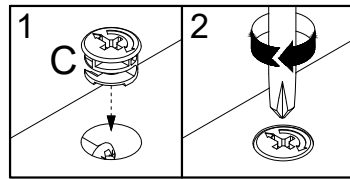
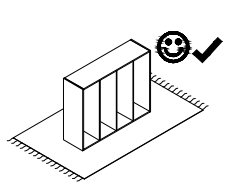
3



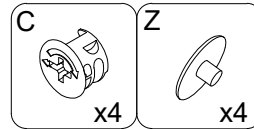
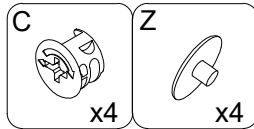
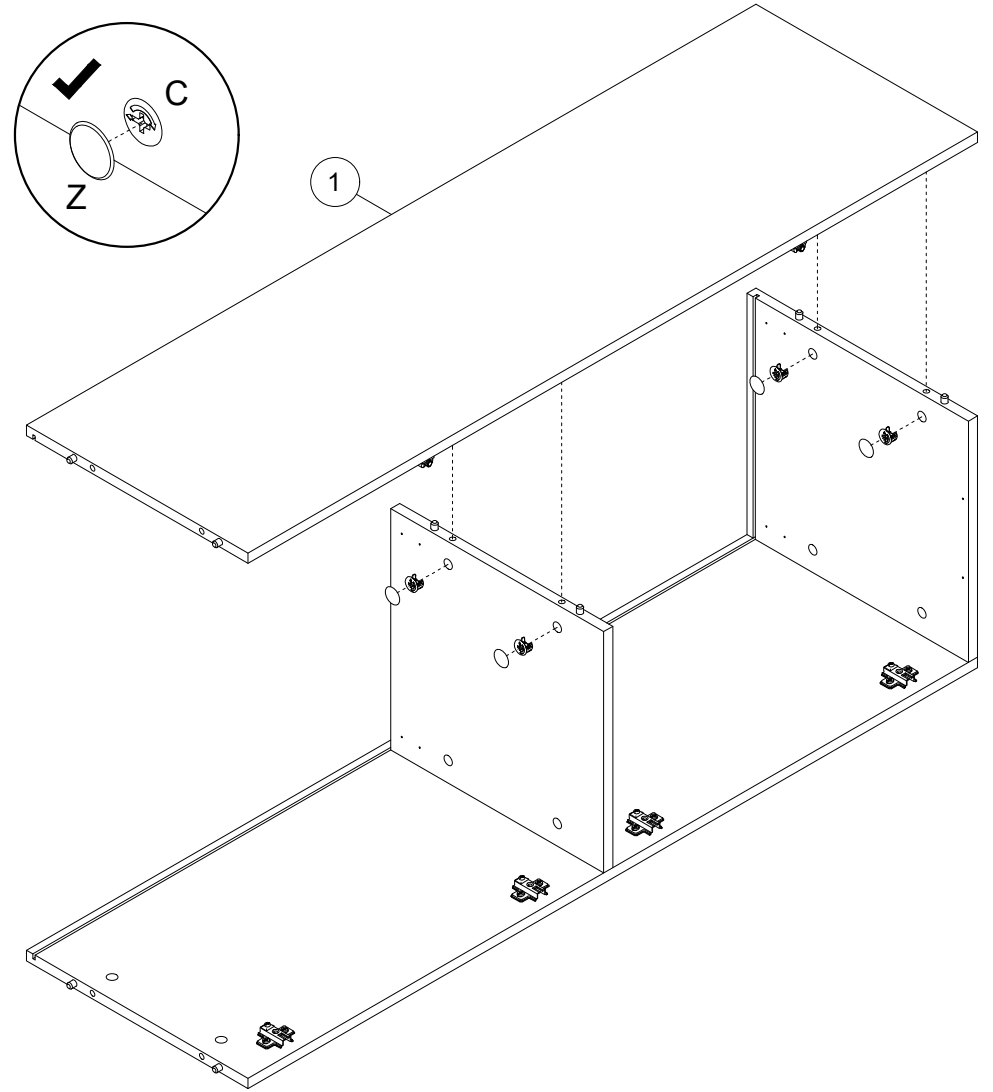
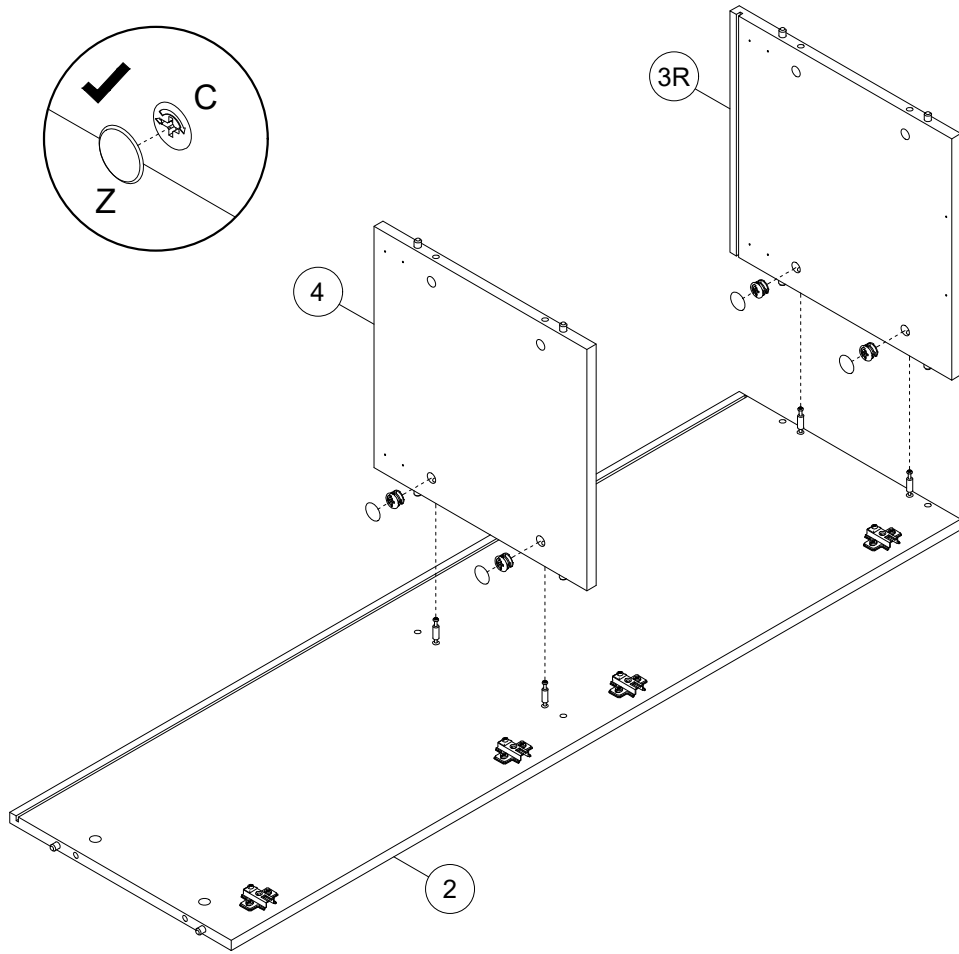
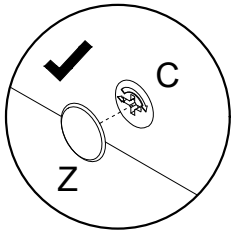
4



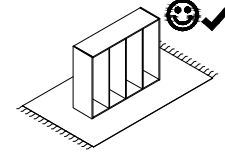
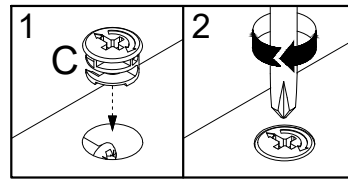
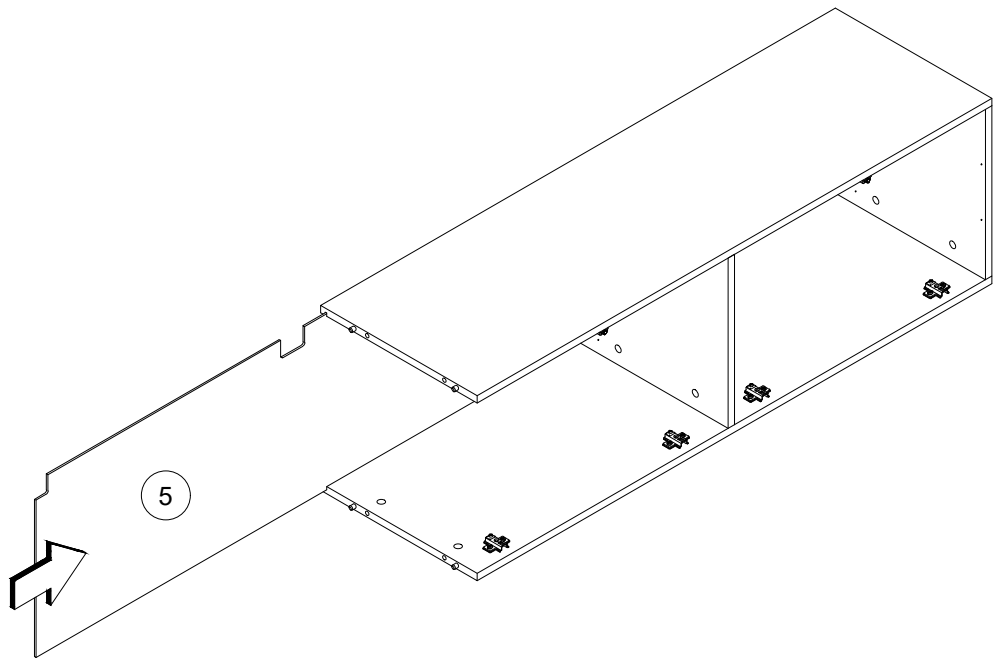
5



6



7



8

